

RACAL INSTRUMENTS

1260-13

SWITCHING/RELAY

MODULE

PUBLICATION NO. 980673-002

EADS North America Defense Test and Services, Inc.
4 Goodyear, Irvine, CA 92618
Tel: (800) 722-2528, (949) 859-8999; Fax: (949) 859-7139

info@eads-nadefense.com
sales@eads-nadefense.com
helpdesk@eads-nadefense.com
<http://www.eads-nadefense.com>



PUBLICATION DATE: June 24, 1998

Copyright 1992 by EADS North America Defense Test and Services, Inc. Printed in the United States of America. All rights reserved. This book or parts thereof may not be reproduced in any form without written permission of the publisher.

**THANK YOU FOR PURCHASING THIS
EADS NORTH AMERICA DEFENSE TEST AND SERVICES PRODUCT**

For this product, or any other EADS North America Defense Test and Services, Inc. product that incorporates software drivers, you may access our web site to verify and/or download the latest driver versions. The web address for driver downloads is:

<http://www.eads-nadefense.com/downloads>

If you have any questions about software driver downloads or our privacy policy, please contact us at:

info@eads-nadefense.com

WARRANTY STATEMENT

All EADS North America Defense Test and Services, Inc. products are designed and manufactured to exacting standards and in full conformance to EADS ISO 9001:2000 processes.

This warranty does not apply to defects resulting from any modification(s) of any product or part without EADS North America Defense Test and Services, Inc. express written consent, or misuse of any product or part. The warranty also does not apply to fuses, software, non-rechargeable batteries, damage from battery leakage, or problems arising from normal wear, such as mechanical relay life, or failure to follow instructions.

This warranty is in lieu of all other warranties, expressed or implied, including any implied warranty of merchantability or fitness for a particular use. The remedies provided herein are buyer's sole and exclusive remedies.

For the specific terms of your standard warranty, or optional extended warranty or service agreement, contact your EADS North America Defense Test and Services, Inc. customer service advisor. Please have the following information available to facilitate service.

1. Product serial number
2. Product model number
3. Your company and contact information

You may contact your customer service advisor by:

E-Mail:	Helpdesk@eads-nadefense.com	
Telephone:	+1 800 722 3262	(USA)
Fax:	+1 949 859 7309	(USA)

RETURN of PRODUCT

Authorization is required from EADS North America Defense Test and Services, Inc. before you send us your product for service or calibration. Call or contact the Customer Support Department at 1-800-722-3262 or 1-949-859-8999 or via fax at 1-949-859-7139. We can be reached at: helpdesk@eads-nadefense.com.

PROPRIETARY NOTICE

This document and the technical data herein disclosed, are proprietary to EADS North America Defense Test and Services, Inc., and shall not, without express written permission of EADS North America Defense Test and Services, Inc., be used, in whole or in part to solicit quotations from a competitive source or used for manufacture by anyone other than EADS North America Defense Test and Services, Inc. The information herein has been developed at private expense, and may only be used for operation and maintenance reference purposes or for purposes of engineering evaluation and incorporation into technical specifications and other documents which specify procurement of products from EADS North America Defense Test and Services, Inc.

DISCLAIMER

Buyer acknowledges and agrees that it is responsible for the operation of the goods purchased and should ensure that they are used properly and in accordance with this handbook and any other instructions provided by Seller. EADS North America Defense Test and Services, Inc. products are not specifically designed, manufactured or intended to be used as parts, assemblies or components in planning, construction, maintenance or operation of a nuclear facility, or in life support or safety critical applications in which the failure of the EADS North America Defense Test and Services, Inc. product could create a situation where personal injury or death could occur. Should Buyer purchase EADS North America Defense Test and Services, Inc. product for such unintended application, Buyer shall indemnify and hold EADS North America Defense Test and Services, Inc., its officers, employees, subsidiaries, affiliates and distributors harmless against all claims arising out of a claim for personal injury or death associated with such unintended use.

FOR YOUR SAFETY

Before undertaking any troubleshooting, maintenance or exploratory procedure, read carefully the **WARNINGS** and **CAUTION** notices.



CAUTION
RISK OF ELECTRICAL SHOCK
DO NOT OPEN



This equipment contains voltage hazardous to human life and safety, and is capable of inflicting personal injury.



If this instrument is to be powered from the AC line (mains) through an autotransformer, ensure the common connector is connected to the neutral (earth pole) of the power supply.



Before operating the unit, ensure the conductor (green wire) is connected to the ground (earth) conductor of the power outlet. Do not use a two-conductor extension cord or a three-prong/two-prong adapter. This will defeat the protective feature of the third conductor in the power cord.



Maintenance and calibration procedures sometimes call for operation of the unit with power applied and protective covers removed. Read the procedures and heed warnings to avoid “live” circuit points.

Before operating this instrument:

1. Ensure the proper fuse is in place for the power source to operate.
2. Ensure all other devices connected to or in proximity to this instrument are properly grounded or connected to the protective third-wire earth ground.

If the instrument:

- fails to operate satisfactorily
- shows visible damage
- has been stored under unfavorable conditions
- has sustained stress

Do not operate until, performance is checked by qualified personnel.

Racal Instruments

EC Declaration of Conformity

We

Racal Instruments Inc.
4 Goodyear Street
Irvine, CA 92718

declare under sole responsibility that the

1260-13 Signal Switching Relay Module
P/N 404941

conforms to the following Product Specifications:

Safety: EN 61010-1

EMC: CISPR 11:1990/EN 55011 (1991): Group 1 Class A
IEC 801-2:1991/EN 50082-1 (1992): 4 kV CD, 8 kV AD
IEC 801-3:1984/EN 50082-1 (1992): 3 V/m, 27-500 MHz
IEC 801-4:1988/EN 50082-1 (1992): 1 kV

Supplementary Information:

The above specifications are met when the product is installed in a Racal Instruments certified mainframe with faceplates installed over all unused slots, as applicable.

The product herewith complies with the requirements of the Low Voltage Directive 73/23/EEC and the EMC Directive 89/336/EEC.

Irvine, CA, January 24, 1996



Quality Manager

This page was left intentionally blank.

NOTE FOR SYSTEMS WITH 1260-OPT 01T

The "Module-Specific Syntax" section of this manual shows the command syntax for the 1260-01S Smart Card. If you are using the newer 1260-01T Smart Card, the commands will NOT work as shown.

Consult the 1260-01T Manual for a description of the commands which may be used with the 1260-01T Smart Card.

The channel numbers described in this manual are valid for the 1260-01T. The channel numbers continue to be used for the 1260-01T.

The syntax of the commands which use channel numbers has changed for those cards controlled by the 1260-01T.

The new syntax used to close a channel is:

CLOSE (@ <module address> (<channel>))

For example, with for a relay module whose <module address> is set to 7, closing <channel> 0 is performed with the command:

CLOSE (@ 7 (0))

Using the older 1260-01S, the command would be (as shown in this manual):

CLOSE 7.0

Many other command syntax differences exist. Please consult chapter 2 of the 1260-01T manual for a description of the commands which are available for the 1260-01T.

Control Information for the 1260-13

The following information describes the control-register-to-relay-channel mapping for a 1260-13 Relay Module. This information may be used to control a 1260-13 when using a 1260-01T in the register-based mode of operation.

Each relay on this module is controlled by setting or clearing a single bit within a Control Register. Control Registers on the module operate 8 channels simultaneously. There are eight control bits per Control Register. Setting the bit to a 1 closes the relay; setting the bit to a 0 opens the relay.

The table below shows the mapping from logical channels to control bits. The logical channels are used when operating the relay module in message-based mode. The control bits within the Control Registers are used to operate the module in register-based mode.

Each Control Register is located 2 addresses from the previous Control Register. That is, each Control Register is located at an odd address. This is shown in Table 2-2 of the 1260-01T manual. Control Register 0 is located at the "Base A24 Address" for the module. Consult the "Register-Based Operation" Section of Chapter 2 of the 1260-01T manual for a description of calculating control register addresses.

Channel	Control Register	Control Bit
0	0	0
1	0	1
2	0	2
3	0	3
4	0	4
5	0	5
6	0	6
7	0	7
8	1	0
9	1	1
10	1	2
11	1	3
12	1	4
13	1	5
14	1	6
15	1	7
16	2	0
17	2	1
18	2	2
19	2	3
20	2	4
21	2	5
22	2	6
23	2	7
24	3	0
25	3	1
26	3	2
27	3	3
28	3	4
29	3	5
30	3	6
31	3	7
32	4	0
33	4	1
34	4	2
35	4	3
36	4	4
37	4	5
38	4	6
39	4	7

Table of Contents

Chapter 1 1-1

MODULE SPECIFICATION 1-1

 General 1-1

 Specifications (Per Independent Channel) 1-1

Chapter 2 2-1

INSTALLATION INSTRUCTIONS 2-1

 Unpacking and Inspection 2-1

 Reshipment Instructions 2-2

 Option 01 Installation 2-2

 Module Installation 2-2

Chapter 3 3-1

MODULE SPECIFIC SYNTAX 3-1

 Syntax 3-1

 Configuration Setting 3-1

 Connector Pin Configuration 3-2

Chapter 4 4-1

OPTIONAL HARNESS ASSEMBLIES 4-1

Chapter 5 5-1

PRODUCT SUPPORT 5-1

 Product Support 5-1

 Warranty 5-1

List of Figures

Figure 2-1, 1260-13.....	2-1
Figure 3-1, 1260-13 Relay Diagram.....	3-2
Figure 3-2, 1260-13 J200-J203 Pin Configurations	3-3
Figure 3-3, 1260-13 Channel.....	3-6
Figure 3-4, 1260-13 Components Per Channel	3-7
Figure 3-5, 1260-13 Jumper Locations	3-8

List of Tables

Table 3-1, 1260-13 "A,B,C and D" Assignments.....	3-4
---	-----

Chapter 1

MODULE SPECIFICATION**General**

The 1260-13 Signal Switching/Relay Actuator module provides 40 independent channels of DPST switching. All pins of each channel are accessible through the front panel allowing each channel to function independently. Each channel features mounting holes to allow the addition of a series and shunt element such as arc suppressor for contact protection, filter, etc. It also provides mounting holes for jumpers to allow the configuration of custom relay switching networks. The module permits switching up to 2 amps and 220 volts DC or 250 volts rms per channel.

Specifications (Per Independent Channel)

Switch Configuration	40 DPST Relays
User Connector	Positronics SMPL 4 FOTO LB
Maximum Switchable Voltage	220 VDC, 250 VAC RMS
Maximum Switchable Current	
Per Channel	2 ADC or AC RMS
Maximum Switchable Power	60 W or 62.5 VA
Path Resistance	< 300 M Ω
Capacitance (Per Independent Channel)	
Open Channel	< 50 pF
Hi-Lo	< 80 pF
Bandwidth, (50 Ω Termination)	50 MHz
Isolation, (50 Ω Termination)	0.2 dB to 100 kHz 0.3 dB to 1 MHz 0.5 dB to 10 MHz

Crosstalk, (50 Ω Termination)	< -70 dB to 100 kHz < -50 dB to 1 MHz < -25 dB to 10 MHz
--------------------------------------	--

Cooling Requirements

Airflow	1.0 liter/sec
Backpressure	0.05 mm H ₂ O

Cooling Requirements (With Option 01S/T)

Airflow	2.0 liters/sec
Backpressure	0.2 mm H ₂ O

Power Requirements (I_{pm})

+5 V	0.4 A (2.8A with Option 01)
+24 V	10 mA per energized relay

Weight	2.77 lbs (1.25 Kg) w/o Option 01 3.05 lbs (1.37 Kg) with Option 01
--------	---

Minimum Option 01 Firmware

Revision	17.1
----------	------

Chapter 2

INSTALLATION INSTRUCTIONS

Unpacking and Inspection

1. Remove the 1260-13 module and inspect it for damage. If any damage is apparent, inform the carrier immediately. Retain shipping carton and packing material for the carrier's inspection.
2. Verify that the pieces in the package you received contain the correct 1260-13 module option and the 1260-13 Users Manual. Notify EADS North America Defense Test and Services, Inc. if the module appears damaged in any way. Do not attempt to install a damaged module into a VXI chassis.
3. The 1260-13 module is shipped in an anti-static bag to prevent electrostatic damage to the module. Do not remove the module from the anti-static bag unless it is in a static-controlled area.

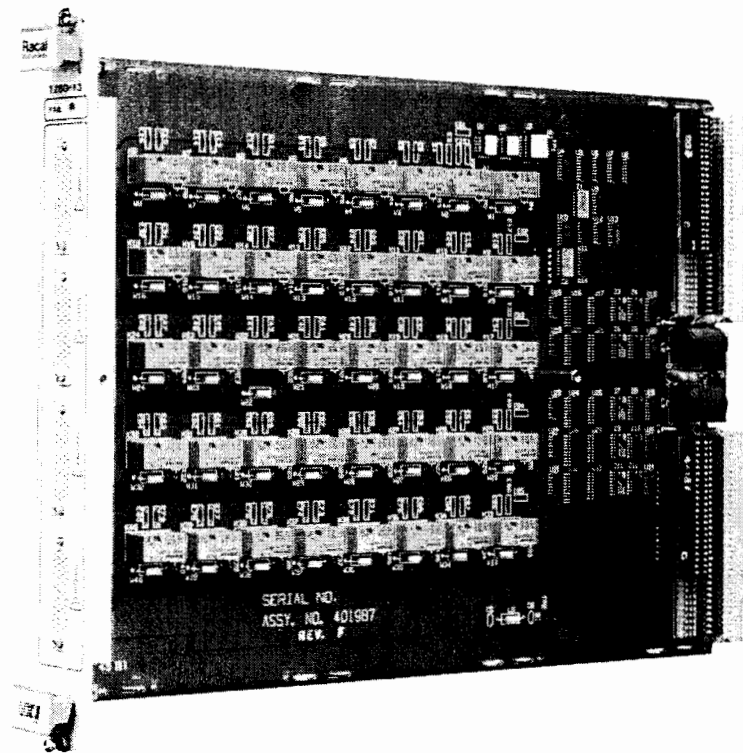


Figure 2-1, 1260-13

Reshipment Instructions

1. Use the original packing when returning the switching module to EADS North America Defense Test and Services, Inc. for calibration or servicing. The original shipping carton and the instrument's plastic foam will provide the necessary support for safe reshipment.
2. If the original packing material is unavailable, wrap the switching module in an ESD Shielding bag and use plastic spray foam to surround and protect the instrument.
3. Reship in either the original or a new shipping carton.

Option 01 Installation

Installation of the Option 01 into the 1260-13 is described in the Installation section of the 1260 Series VXI Switching Cards Manual.

Module Installation

Installation of the 1260-13 Switching Module into a VXI mainframe, including the setting of DIP switches, is described in the Installation section of the 1260 Series VXI Switching Cards Manual. The ID byte DIP switches, SW1-5 and SW1-6, should be set OFF.

Chapter 3

MODULE SPECIFIC SYNTAX

The module specific syntax for the 1260-13 is required in the use of the OPEN and CLOSE commands. It will also appear in the data output by the Master in response to the PDATAOUT and PSETUP commands.

Syntax

The Module Specific Syntax for the 1260-13 module is as follows:

<module address>.<channel>

where <module address> is the switch card address.

<channel> is the channel number to be switched; the valid values for

<channel> range from 0 to 39

NOTE:

The <module address> used here is not the VXIbus defined logical address of the 1260 Master. It is peculiar to the 1260 Series, and describes the switching module in relation to the Master. This address corresponds to the binary value of the switch setting of SW1 on the module PCB.

Configuration Setting

The 1260-13 Signal Switching/Relay Actuator module provides 40 independent channels of DPST switching. All four pins of each DPST relay are accessible through the front panel allowing each channel to function independently. Each channel features mounting holes to allow the addition of a series and shunt element such as arc suppressor for contact protection, filter, etc. It also provides mounting holes for jumpers to allow the configuration of custom relay switching networks. The module permits switching up to 2 amps and 220 volts, DC or 250 volts rms per channel.

A total of 200 pins are accessible through the front panel connectors, 22 of which are not used. Each channel is assigned 4 pins, A,B,C and D, as shown in **Figure 3-1**.

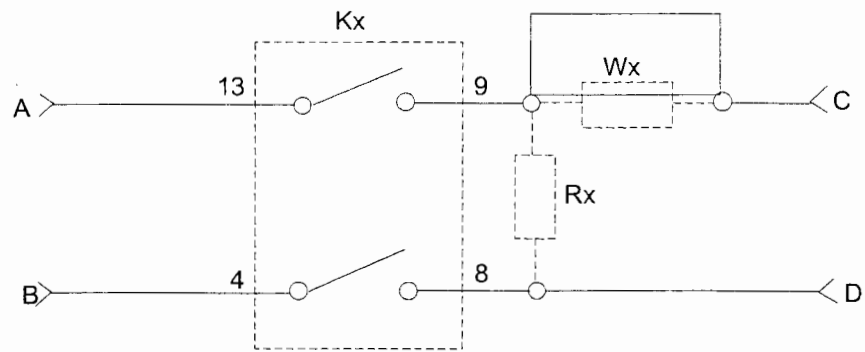


Figure 3-1, 1260-13 Relay Diagram

The corresponding pin assignments of the 4 pins for each channel is tabulated on **Table 3-1**.

Connector Pin Configuration

Refer to **Figure 3-2** below for the pin configurations of the front panel connectors J200 to J203. J200 to J203 is Part Number 601856-050. The mating connectors are Part Number 601855-050, and mating pins are Part Number 601857.

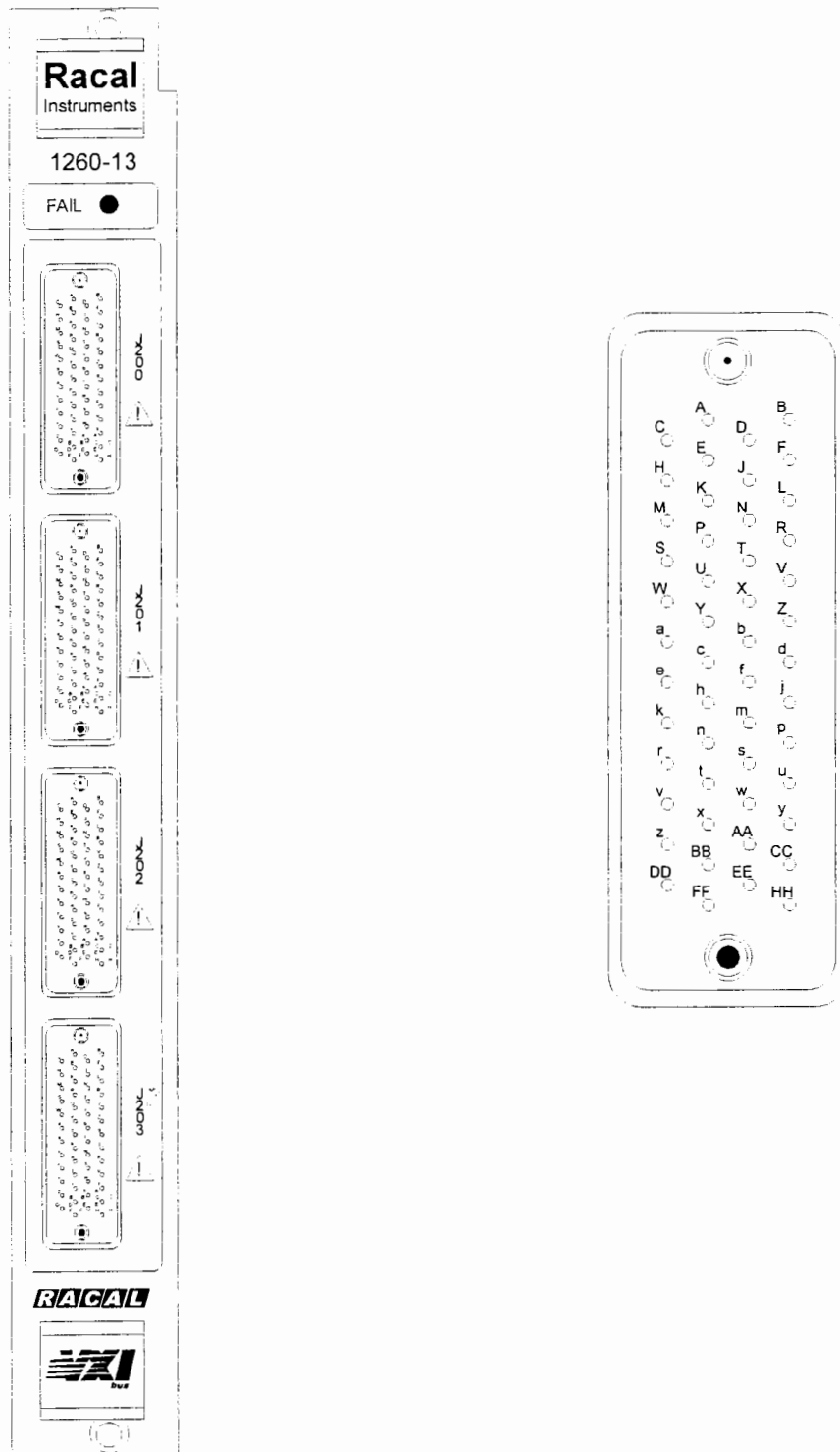


Figure 3-2, 1260-13 J200-J203 Pin Configurations

Table 3-1, 1260-13 "A,B,C and D" Assignments

CHANNEL NO.	Pin A	Pin C	Pin B	Pin D
00	J200-s	J200-p	J200-r	J200-n
01	J200-m	J200-j	J200-k	J200-h
02	J200-f	J200-d	J200-e	J200-c
03	J200-b	J200-Z	J200-a	J200-Y
04	J200-X	J200-V	J200-W	J200-U
05	J200-T	J200-R	J200-S	J200-P
06	J200-N	J200-L	J200-M	J200-K
07	J200-J	J200-F	J200-H	J200-E
08	J201-f	J201-d	J201-e	J201-c
09	J201-b	J201-Z	J201-a	J201-Y
10	J201-X	J201-V	J201-W	J201-U
11	J201-T	J201-R	J201-S	J201-P
12	J201-N	J201-L	J201-M	J201-K
13	J201-J	J201-F	J201-H	J201-E
14	J200-EE	J200-CC	J200-DD	J200-BB
15	J200-AA	J200-y	J200-z	J200-x
16	J202-X	J202-V	J202-W	J202-U
17	J202-T	J202-R	J202-S	J202-P
18	J202-N	J202-L	J202-M	J202-K
19	J202-J	J202-F	J202-H	J202-E
20	J201-EE	J201-CC	J201-DD	J201-BB
21	J201-AA	J201-y	J201-z	J201-x
22	J201-w	J201-u	J201-v	J201-t
23	J201-s	J201-p	J201-r	J201-n
24	J203-N	J203-L	J203-M	J203-K
25	J203-J	J203-F	J203-H	J203-E
26	J202-EE	J202-CC	J202-DD	J202-BB
27	J202-AA	J202-y	J202-z	J202-x
28	J202-w	J202-u	J202-v	J202-t
29	J202-s	J202-p	J202-r	J202-n
30	J202-m	J202-j	J202-k	J202-h
31	J202-f	J202-d	J202-e	J202-c
32	J203-EE	J203-CC	J203-DD	J203-BB
33	J203-AA	J203-y	J203-z	J203-x
34	J203-w	J203-u	J203-v	J203-t
35	J203-s	J203-p	J203-r	J203-n
36	J203-m	J203-j	J203-k	J203-h
37	J203-f	J203-d	J203-e	J203-c
38	J203-b	J203-Z	J203-a	J203-Y
39	J203-X	J203-V	J203-W	J203-U

Table 3-1, 1260-13 "A,B,C and D" Assignments (continued)

COM	A	B
0	J200-D	J200-C
1	J200-w	J200-v
2	J201-m	J201-k
3	J202-b	J202-a
4	J203-T	J203-S

Chassis	Ground
J200-A	J200-FF
J201-A	J201-FF
J202-A	J202-FF
J203-A	J203-FF

Figure 3-3 shows a 1260-13 channel with a series and shunt element associated with each channel. The series elements are designated W1 to W40 while the shunt elements are designated R1 to R40. To allow immediate use of the module, a zero-ohm jumper is installed on all positions for W1 to W40. No component is installed on R1 to R40.

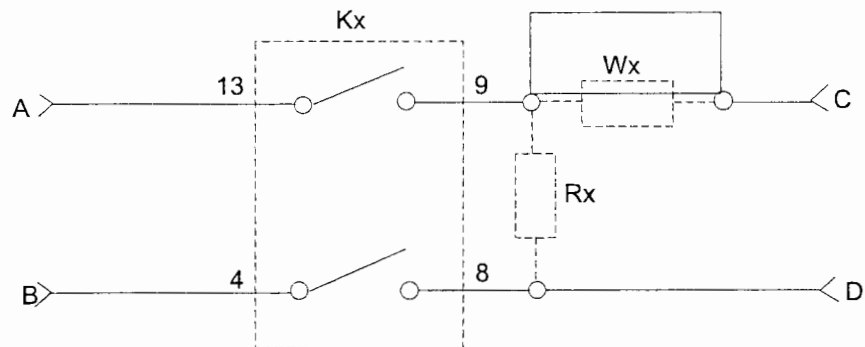
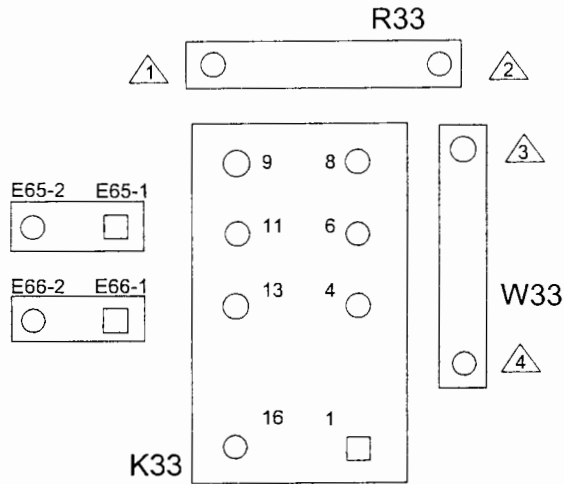


Figure 3-3, 1260-13 Channel

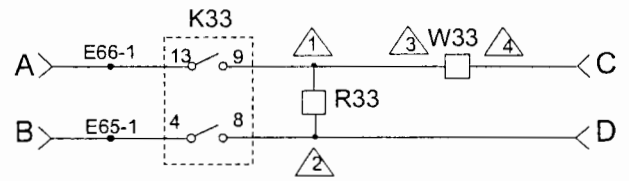
To install a shunt element at a particular channel, locate the "R" position which has a numerical assignment that is one higher than the channel number. For example, the shunt element associated with CH 19 will have the designation R20. The same procedure applies to the installation of a series element except, instead of an "R" designation, a series element will be installed on a "W" position. Since the module is shipped with jumpers installed on W1 to W40, installation of a series element will first require the removal of the jumper on the location of interest. **Figure 3-4** summarizes the components associated with each channel. It also shows how the series and shunt elements are connected to the relay, which is useful when the elements being installed have associated polarities.

Custom relay switching networks can be implemented by using jumpers and mounting holes on the module. Referring to **Figure 3-4**, mounting holes are provided on the "A" and "B" side of each relay. In addition, a pair of "common" lines with mounting holes run alongside each column of 8 relays. These lines can be used to implement a multiplexer using the 8 adjacent relays. For example, to implement an 8 x 1 multiplexer using K1 to K8, use jumpers to connect E1-1 to E1-2, E2-1 to E2-2, ..., E16-1 to E16-2 (See **Figure 3-5**). K1 to K8 now composes a 2-wire, 8 x 1 multiplexer with COM0A and COM0B as the common pair. The other four columns of eight relays can be configured in the same manner to provide a total of five 8 x 1 multiplexers. The pin assignment of the common pairs is shown on **Table 3-1**.

EXAMPLE: CH 32



COMPONENT LAYOUT
(TOP VIEW)



SCHEMATIC

NOTE: PINS 6 AND 11 OF THE RELAY ARE NOT USED

Figure 3-4, 1260-13 Components Per Channel

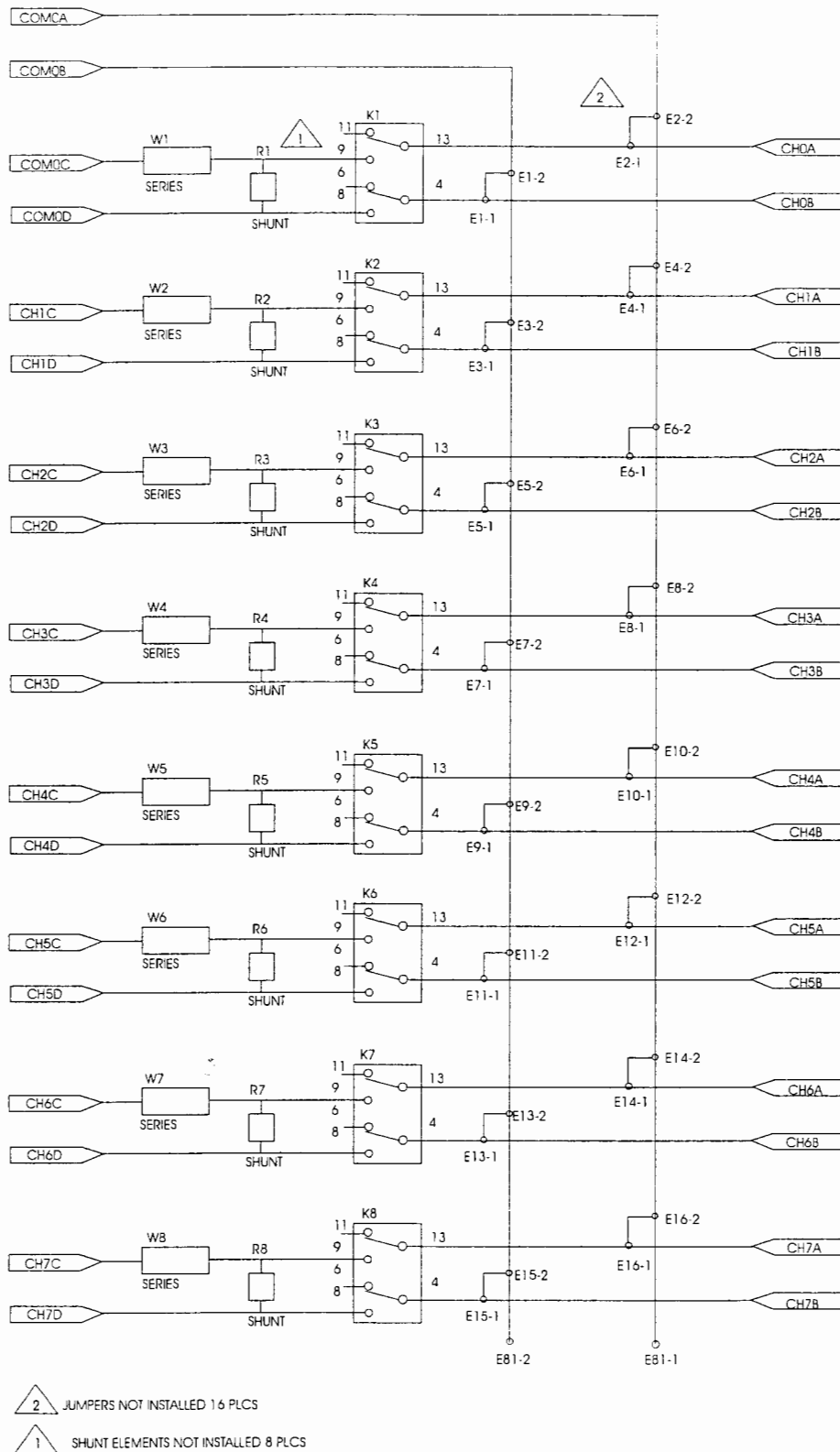


Figure 3-5, 1260-13 Jumper Locations

Chapter 4

OPTIONAL HARNESS ASSEMBLIES

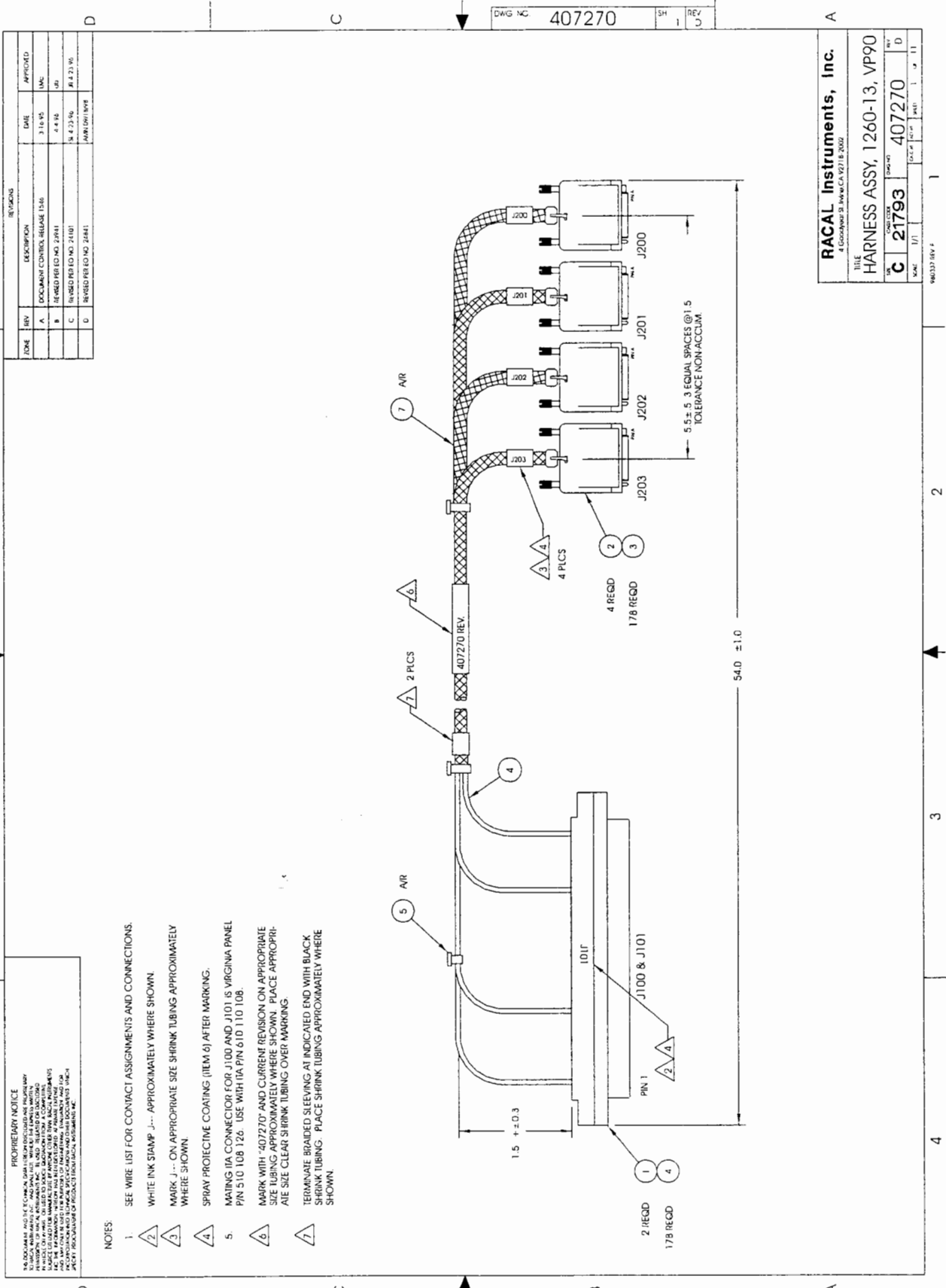
The following harness assemblies are used to connect 1260-13 to Freedom Series Test Receiver Interfaces.

Each harness documentation consists of an assembly drawing, parts list, system wire list and wire list.

407270 Virginia Panel, Inc. Series VP90 Interface
Harness

407271 TTI Testron, Inc. Interface Harness
(TTI Receiver must be above chassis)

For more information on complete line of Test Receivers Interface solution, contact your Sales Representative.



ENGINEERING PARTS LIST

ITEM	BIN	PART NO.	DESCRIPTION	QTY	REFERENCE
1		602201-003	CONN-RCV-PLG096C.--T-VP90	2	J100-J101
2		601855-050	CONN-CAB-PLG50CP	4	J200-J203
3		602092-001	CONT-SGM MALE CRIMP	178	W/J200-J203
4		602201-806	PATCHCORD,SIGNAL,24AWG,60IN	178	W/J101-J101
5		610777	TIE-CA-LKG-.062-.075	A/R	
6		910541	POLYURETHANE CONF. COAT	A/R	
7		GRP-110-1/2	TBGWOV-POY.250ID-BLACK	A/R	

EADS North America Defense Test and Services, Inc., 4 Goodyear St., Irvine, CA 92718				
DOCUMENT TITLE	SIZE	CODE NO.	DOCUMENT NO.	REV
HARNESS ASSEMBLY, 1260-13, VP-90	A	21793	407270	D
	DRN		SHEET 2 of 11	

ENGINEERING WIRE LIST

WIRE	FROM	TO	TYPE	PART#	WIRE LEN	REFERENCE
	BLK AA (J100)	Uxx-SLOT yy (J200-J202)	CABLE	407270		SYSTEM WIRE LIST
	BLK AA (J101)	Uxx-SLOT yy (J201-J203)	CABLE	407270		

This system wirelist serves as a template for incorporating this harness assembly into the overall system wirelist. It does not in any way affect the fabrication of this harness assembly.

EADS North America Defense Test and Services, Inc., 4 Goodyear St., Irvine, CA 92718				
DOCUMENT TITLE	SIZE	CODE NO.	DOCUMENT NO.	REV
HARNESS ASSEMBLY, 1260-13, VP-90	A	21793	407270	D
	DRN		SHEET 3 of 11	

ENGINEERING WIRE LIST

WIRE	FROM	TO	TYPE	PART#	WIRE LEN	REFERENCE
1	J100-1 (602201-003)	J200-s 602092-001	24 AWG WHT	602201-806	54"	CHANNEL 00 HI IN
2	J100-2 (602201-003)	J200-r 602092-001	24 AWG WHT	602201-806	54"	CHANNEL 00 LO IN
3	J100-33 (602201-003)	J200-p 602092-001	24 AWG WHT	602201-806	54"	CHANNEL 00 HI OUT
4	J100-34 (602201-003)	J200-n 602092-001	24 AWG WHT	602201-806	54"	CHANNEL 00 LO OUT
5	J100-3 (602201-003)	J200-m 602092-001	24 AWG WHT	602201-806	54"	CHANNEL 01 HI IN
6	J100-4 (602201-003)	J200-k 602092-001	24 AWG WHT	602201-806	54"	CHANNEL 01 LO IN
7	J100-35 (602201-003)	J200-j 602092-001	24 AWG WHT	602201-806	54"	CHANNEL 01 HI OUT
8	J100-36 (602201-003)	J200-h 602092-001	24 AWG WHT	602201-806	54"	CHANNEL 01 LO OUT
9	J100-65 (602201-003)	J200-f 602092-001	24 AWG WHT	602201-806	54"	CHANNEL 02 HI IN
10	J100-66 (602201-003)	J200-e 602092-001	24 AWG WHT	602201-806	54"	CHANNEL 02 LO IN
11	J100-67 (602201-003)	J200-d 602092-001	24 AWG WHT	602201-806	54"	CHANNEL 02 HI OUT
12	J100-68 (602201-003)	J200-c 602092-001	24 AWG WHT	602201-806	54"	CHANNEL 02 LO OUT
13	J100-5 (602201-003)	J200-b 602092-001	24 AWG WHT	602201-806	54"	CHANNEL 03 HI IN
14	J100-6 (602201-003)	J200-a 602092-001	24 AWG WHT	602201-806	54"	CHANNEL 03 LO IN
15	J100-37 (602201-003)	J200-Z 602092-001	24 AWG WHT	602201-806	54"	CHANNEL 03 HI OUT
16	J100-38 (602201-003)	J200-Y 602092-001	24 AWG WHT	602201-806	54"	CHANNEL 03 LO OUT
17	J100-7 (602201-003)	J200-X 602092-001	24 AWG WHT	602201-806	54"	CHANNEL 04 HI IN
18	J100-8 (602201-003)	J200-W 602092-001	24 AWG WHT	602201-806	54"	CHANNEL 04 LO IN
19	J100-39 (602201-003)	J200-V 602092-001	24 AWG WHT	602201-806	54"	CHANNEL 04 HI OUT
20	J106-40 (602201-003)	J200-U 602092-001	24 AWG WHT	602201-806	54"	CHANNEL 04 LO OUT
21	J100-69 (602201-003)	J200-T 602092-001	24 AWG WHT	602201-806	54"	CHANNEL 05 HI IN
22	J100-70 (602201-003)	J200-S 602092-001	24 AWG WHT	602201-806	54"	CHANNEL 05 LO IN
23	J100-71 (602201-003)	J200-R 602092-001	24 AWG WHT	602201-806	54"	CHANNEL 05 HI OUT
24	J100-72 (602201-003)	J200-P 602092-001	24 AWG WHT	602201-806	54"	CHANNEL 05 LO OUT
25	J100-9 (602201-003)	J200-N 602092-001	24 AWG WHT	602201-806	54"	CHANNEL 06 HI IN

EADS North America Defense Test and Services, Inc., 4 Goodyear St., Irvine, CA 92718

DOCUMENT TITLE	SIZE	CODE NO.	DOCUMENT NO.	REV
HARNESS ASSEMBLY, 1260-13, VP-90	A	21793	407270	D
	DRN		SHEET 4 of 11	

ENGINEERING WIRE LIST

WIRE	FROM	TO	TYPE	PART#	WIRE LEN	REFERENCE
26	J100-10	J200-M	24 AWG	602201-	54"	CHANNEL 06 LO IN
	(602201-003)	602092-001	WHT	806		
27	J100-41	J200-L	24 AWG	602201-	54"	CHANNEL 06 HI OUT
	(602201-003)	602092-001	WHT	806		
28	J100-42	J200-K	24 AWG	602201-	54"	CHANNEL 06 LO OUT
	(602201-003)	602092-001	WHT	806		
29	J100-11	J200-J	24 AWG	602201-	54"	CHANNEL 07 HI IN
	(602201-003)	602092-001	WHT	806		
30	J100-12	J200-H	24 AWG	602201-	54"	CHANNEL 07 LO IN
	(602201-003)	602092-001	WHT	806		
31	J100-43	J200-F	24 AWG	602201-	54"	CHANNEL 07 HI OUT
	(602201-003)	602092-001	WHT	806		
32	J100-44	J200-E	24 AWG	602201-	54"	CHANNEL 07 LO OUT
	(602201-003)	602092-001	WHT	806		
33	J100-73	J201-f	24 AWG	602201-	54"	CHANNEL 08 HI IN
	(602201-003)	602092-001	WHT	806		
34	J100-74	J201-e	24 AWG	602201-	54"	CHANNEL 08 LO IN
	(602201-003)	602092-001	WHT	806		
35	J100-75	J201-d	24 AWG	602201-	54"	CHANNEL 08 HI OUT
	(602201-003)	602092-001	WHT	806		
36	J100-76	J201-c	24 AWG	602201-	54"	CHANNEL 08 LO OUT
	(602201-003)	602092-001	WHT	806		
37	J100-13	J201-b	24 AWG	602201-	54"	CHANNEL 09 HI IN
	(602201-003)	602092-001	WHT	806		
38	J100-14	J201-a	24 AWG	602201-	54"	CHANNEL 09 LO IN
	(602201-003)	602092-001	WHT	806		
39	J100-45	J201-Z	24 AWG	602201-	54"	CHANNEL 09 HI OUT
	(602201-003)	602092-001	WHT	806		
40	J100-46	J201-Y	24 AWG	602201-	54"	CHANNEL 09 LO OUT
	(602201-003)	602092-001	WHT	806		
41	J100-15	J201-X	24 AWG	602201-	54"	CHANNEL 10 HI IN
	(602201-003)	602092-001	WHT	806		
42	J100-16	J201-W	24 AWG	602201-	54"	CHANNEL 10 LO IN
	(602201-003)	602092-001	WHT	806		
43	J100-47	J201-V	24 AWG	602201-	54"	CHANNEL 10 HI OUT
	(602201-003)	602092-001	WHT	806		
44	J100-48	J201-U	24 AWG	602201-	54"	CHANNEL 10 LO OUT
	(602201-003)	602092-001	WHT	806		
45	J100-77	J201-T	24 AWG	602201-	54"	CHANNEL 11 HI IN
	(602201-003)	602092-001	WHT	806		
46	J100-78	J201-S	24 AWG	602201-	54"	CHANNEL 11 LO IN
	(602201-003)	602092-001	WHT	806		
47	J100-79	J201-R	24 AWG	602201-	54"	CHANNEL 11 HI OUT
	(602201-003)	602092-001	WHT	806		
48	J100-80	J201-P	24 AWG	602201-	54"	CHANNEL 11 LO OUT
	(602201-003)	602092-001	WHT	806		
49	J100-17	J201-N	24 AWG	602201-	54"	CHANNEL 12 HI IN
	(602201-003)	602092-001	WHT	806		
50	J100-18	J201-M	24 AWG	602201-	54"	CHANNEL 12 LO IN
	(602201-003)	602092-001	WHT	806		

EADS North America Defense Test and Services, Inc., 4 Goodyear St., Irvine, CA 92718

DOCUMENT TITLE	SIZE	CODE NO.	DOCUMENT NO.	REV
HARNES ASSEMBLY, 1260-13, VP-90	A	21793	407270	D
	DRN		SHEET 5 of 11	

ENGINEERING WIRE LIST

WIRE	FROM	TO	TYPE	PART#	WIRE LEN	REFERENCE
51	J100-49	J201-L	24 AWG	602201-	54*	CHANNEL 12 HI OUT
	(602201-003)	602092-001	WHT	806		
52	J100-50	J201-K	24 AWG	602201-	54*	CHANNEL 12 LO OUT
	(602201-003)	602092-001	WHT	806		
53	J100-19	J201-J	24 AWG	602201-	54*	CHANNEL 13 HI IN
	(602201-003)	602092-001	WHT	806		
54	J100-20	J201-H	24 AWG	602201-	54*	CHANNEL 13 LO IN
	(602201-003)	602092-001	WHT	806		
55	J100-51	J201-F	24 AWG	602201-	54*	CHANNEL 13 HI OUT
	(602201-003)	602092-001	WHT	806		
56	J100-52	J201-E	24 AWG	602201-	54*	CHANNEL 13 LO OUT
	(602201-003)	602092-001	WHT	806		
57	J100-81	J200-EE	24 AWG	602201-	54*	CHANNEL 14 HI IN
	(602201-003)	602092-001	WHT	806		
58	J100-82	J200-DD	24 AWG	602201-	54*	CHANNEL 14 LO IN
	(602201-003)	602092-001	WHT	806		
59	J100-83	J200-CC	24 AWG	602201-	54*	CHANNEL 14 HI OUT
	(602201-003)	602092-001	WHT	806		
60	J100-84	J200-BB	24 AWG	602201-	54*	CHANNEL 14 LO OUT
	(602201-003)	602092-001	WHT	806		
61	J100-21	J200-AA	24 AWG	602201-	54*	CHANNEL 15 HI IN
	(602201-003)	602092-001	WHT	806		
62	J100-22	J200-z	24 AWG	602201-	54*	CHANNEL 15 LO IN
	(602201-003)	602092-001	WHT	806		
63	J100-53	J200-y	24 AWG	602201-	54*	CHANNEL 15 HI OUT
	(602201-003)	602092-001	WHT	806		
64	J100-54	J200-x	24 AWG	602201-	54*	CHANNEL 15 LO OUT
	(602201-003)	602092-001	WHT	806		
65	J100-23	J202-X	24 AWG	602201-	54*	CHANNEL 16 HI IN
	(602201-003)	602092-001	WHT	806		
66	J100-24	J202-W	24 AWG	602201-	54*	CHANNEL 16 LO IN
	(602201-003)	602092-001	WHT	806		
67	J100-55	J202-V	24 AWG	602201-	54*	CHANNEL 16 HI OUT
	(602201-003)	602092-001	WHT	806		
68	J100-56	J202-U	24 AWG	602201-	54*	CHANNEL 16 LO OUT
	(602201-003)	602092-001	WHT	806		
69	J100-85	J202-T	24 AWG	602201-	54*	CHANNEL 17 HI IN
	(602201-003)	602092-001	WHT	806		
70	J100-86	J202-S	24 AWG	602201-	54*	CHANNEL 17 LO IN
	(602201-003)	602092-001	WHT	806		
71	J100-87	J202-R	24 AWG	602201-	54*	CHANNEL 17 HI OUT
	(602201-003)	602092-001	WHT	806		
72	J100-88	J202-P	24 AWG	602201-	54*	CHANNEL 17 LO OUT
	(602201-003)	602092-001	WHT	806		
73	J100-25	J202-N	24 AWG	602201-	54*	CHANNEL 18 HI IN
	(602201-003)	602092-001	WHT	806		
74	J100-26	J202-M	24 AWG	602201-	54*	CHANNEL 18 LO IN
	(602201-003)	602092-001	WHT	806		
75	J100-57	J202-L	24 AWG	602201-	54*	CHANNEL 18 HI OUT
	(602201-003)	602092-001	WHT	806		

EADS North America Defense Test and Services, Inc., 4 Goodyear St., Irvine, CA 92718

DOCUMENT TITLE	SIZE	CODE NO.	DOCUMENT NO.	REV
HARNESS ASSEMBLY, 1260-13, VP-90	A	21793	407270	D
	DRN		SHEET 6 of 11	

ENGINEERING WIRE LIST

WIRE	FROM	TO	TYPE	PART#	WIRE LEN	REFERENCE
76	J100-58 (602201-003)	J202-K 602092-001	24 AWG WHT	602201- 806	54"	CHANNEL 18 LO OUT
77	J100-27 (602201-003)	J202-J 602092-001	24 AWG WHT	602201- 806	54"	CHANNEL 19 HI IN
78	J100-28 (602201-003)	J202-H 602092-001	24 AWG WHT	602201- 806	54"	CHANNEL 19 LO IN
79	J100-59 (602201-003)	J202-F 602092-001	24 AWG WHT	602201- 806	54"	CHANNEL 19 HI OUT
80	J100-60 (602201-003)	J202-E 602092-001	24 AWG WHT	602201- 806	54"	CHANNEL 19 LO OUT
81	J100-99 NO CONNECT					
82	J100-90 NO CONNECT					
83	J100-91 NO CONNECT					
84	J100-92 NO CONNECT					
85	J100-29 (602201-003)	J200-D 602092-001	24 AWG WHT	602201- 806	54"	COMMON 00 HI
86	J100-30 (602201-003)	J200-C 602092-001	24 AWG WHT	602201- 806	54"	COMMON 00 LO
87	J100-61 (602201-003)	J200-w 602092-001	24 AWG WHT	602201- 806	54"	COMMON 01 HI
88	J100-62 (602201-003)	J200-v 602092-001	24 AWG WHT	602201- 806	54"	COMMON 01 LO
89	J100-31 (602201-003)	J200-A 602092-001	24 AWG WHT	602201- 806	54"	GROUND
90	J10032 (602201-003)	J200-FF 602092-001	24 AWG WHT	602201- 806	54"	GROUND
91	J100-63 (602201-003)	J201-A 602092-001	24 AWG WHT	602201- 806	54"	GROUND
92	J100-64 (602201-003)	J201-FF 602092-001	24 AWG WHT	602201- 806	54"	GROUND
93	J100-93 (602201-003)	J201-m 602092-001	24 AWG WHT	602201- 806	54"	COMMON 02 HI
94	J100-94 (602101-003)	J201-k 602092-001	24 AWG WHT	602201- 806	54"	COMMON 02 LO
95	J100-95 NO CONNECT					
96	J100-96 NO CONNECT					
97	J101-1 (602201-003)	J201-EE 602092-001	24 AWG WHT	602201- 806	54"	CHANNEL 20 HI IN
98	J101-2 (602201-003)	J201-DD 602092-001	24 AWG WHT	602201- 806	54"	CHANNEL 20 LO IN
99	J101-33 (602201-003)	J201-CC 602092-001	24 AWG WHT	602201- 806		CHANNEL 20 HI OUT
100	J101-34 (602201-003)	J201-BB 602092-001	24 AWG WHT	602201- 806	54"	CHANNEL 20 LO OUT

EADS North America Defense Test and Services, Inc., 4 Goodyear St., Irvine, CA 92718

DOCUMENT TITLE	SIZE	CODE NO.	DOCUMENT NO.	REV
HARNESS ASSEMBLY, 1260-13, VP-90	A	21793	407270	D
	DRN		SHEET 7 of 11	

ENGINEERING WIRE LIST

WIRE	FROM	TO	TYPE	PART#	WIRE LEN	REFERENCE
101	J101-3 (602201-003)	J201-AA 602092-001	24 AWG WHT	602201- 806	54"	CHANNEL 21 HI IN
102	J101-4 (602201-003)	J201-z 602092-001	24 AWG WHT	602201- 806	54"	CHANNEL 21 LO IN
103	J101-35 (602201-003)	J201-y 602092-001	24 AWG WHT	602201- 806	54"	CHANNEL 21 HI OUT
104	J101-36 (602201-003)	J201-x 602092-001	24 AWG WHT	602201- 806	54"	CHANNEL 21 LO OUT
105	J101-65 (602201-003)	J201-w 602092-001	24 AWG WHT	602201- 806	54"	CHANNEL 22 HI IN
106	J101-66 (602201-003)	J201-v 602092-001	24 AWG WHT	602201- 806	54"	CHANNEL 22 LO IN
107	J101-67 (602201-003)	J201-u 602092-001	24 AWG WHT	602201- 806	54"	CHANNEL 22 HI OUT
108	J101-68 (602201-003)	J201-t 602092-001	24 AWG WHT	602201- 806	54"	CHANNEL 22 LO OUT
109	J101-5 (602201-003)	J201-s 602092-001	24 AWG WHT	602201- 806	54"	CHANNEL 23 HI IN
110	J101-6 (602201-003)	J201-r 602092-001	24 AWG WHT	602201- 806	54"	CHANNEL 23 LO IN
111	J101-37 (602201-003)	J201-p 602092-001	24 AWG WHT	602201- 806	54"	CHANNEL 23 HI OUT
112	J101-38 (602201-003)	J201-n 602092-001	24 AWG WHT	602201- 806	54"	CHANNEL 23 LO OUT
113	J101-7 (602201-003)	J203-N 602092-001	24 AWG WHT	602201- 806	54"	CHANNEL 24 HI IN
114	J101-8 (602201-003)	J203-M 602092-001	24 AWG WHT	602201- 806	54"	CHANNEL 24 LO IN
115	J101-39 (602201-003)	J203-L 602092-001	24 AWG WHT	602201- 806	54"	CHANNEL 24 HI OUT
116	J101-40 (602201-003)	J203-K 602092-001	24 AWG WHT	602201- 806	54"	CHANNEL 24 LO OUT
117	J101-69 (602201-003)	J203-J 602092-001	24 AWG WHT	602201- 806	54"	CHANNEL 25 HI IN
118	J101-70 (602201-003)	J203-H 602092-001	24 AWG WHT	602201- 806	54"	CHANNEL 25 LO IN
119	J101-71 (602201-003)	J203-F 602092-001	24 AWG WHT	602201- 806	54"	CHANNEL 25 HI OUT
120	J101-72 (602201-003)	J203-E 602092-001	24 AWG WHT	602201- 806	54"	CHANNEL 25 LO OUT
121	J101-9 (602201-003)	J202-EE 602092-001	24 AWG WHT	602201- 806	54"	CHANNEL 26 HI IN
122	J101-10 (602201-003)	J202-DD 602092-001	24 AWG WHT	602201- 806	54"	CHANNEL 26 LO IN
123	J101-41 (602201-003)	J202-CC 602092-001	24 AWG WHT	602201- 806	54"	CHANNEL 26 HI OUT
124	J101-42 (602201-003)	J202-BB 602092-001	24 AWG WHT	602201- 806	54"	CHANNEL 26 LO OUT
125	J101-11 (602201-003)	J202-AA 602092-001	24 AWG WHT	602201- 806	54"	CHANNEL 27 HI IN

EADS North America Defense Test and Services, Inc., 4 Goodyear St., Irvine, CA 92718

DOCUMENT TITLE	SIZE	CODE NO.	DOCUMENT NO.	REV
HARNESS ASSEMBLY, 1260-13, VP-90	A	21793	407270	D
	DRN		SHEET 8 of 11	

ENGINEERING WIRE LIST

WIRE	FROM	TO	TYPE	PART#	WIRE LEN	REFERENCE
126	J101-12	J202-z	24 AWG	602201-	54"	CHANNEL 27 LO IN
	(602201-003)	602092-001	WHT	806		
127	J101-43	J202-y	24 AWG	602201-	54"	CHANNEL 27 HI OUT
	(602201-003)	602092-001	WHT	806		
128	J101-44	J202-x	24 AWG	602201-	54"	CHANNEL 27 LO OUT
	(602201-003)	602092-001	WHT	806		
129	J101-73	J202-w	24 AWG	602201-	54"	CHANNEL 28 HI IN
	(602201-003)	602092-001	WHT	806		
130	J101-74	J202-v	24 AWG	602201-	54"	CHANNEL 28 LO IN
	(602201-003)	602092-001	WHT	806		
131	J101-75	J202-u	24 AWG	602201-	54"	CHANNEL 28 HI OUT
	(602201-003)	602092-001	WHT	806		
132	J101-76	J202-t	24 AWG	602201-	54"	CHANNEL 28 LO OUT
	(602201-003)	602092-001	WHT	806		
133	J101-13	J202-s	24 AWG	602201-	54"	CHANNEL 29 HI IN
	(602201-003)	602092-001	WHT	806		
134	J101-14	J202-r	24 AWG	602201-	54"	CHANNEL 29 LO IN
	(602201-003)	602092-001	WHT	806		
135	J101-45	J202-p	24 AWG	602201-	54"	CHANNEL 29 HI OUT
	(602201-003)	602092-001	WHT	806		
136	J101-46	J202-n	24 AWG	602201-	54"	CHANNEL 29 LO OUT
	(602201-003)	602092-001	WHT	806		
137	J101-15	J202-m	24 AWG	602201-	54"	CHANNEL 30 HI IN
	(602201-003)	602092-001	WHT	806		
138	J101-16	J202-k	24 AWG	602201-	54"	CHANNEL 30 LO IN
	(602201-003)	602092-001	WHT	806		
139	J101-47	J202-j	24 AWG	602201-	54"	CHANNEL 30 HI OUT
	(602201-003)	602092-001	WHT	806		
140	J101-48	J202-h	24 AWG	602201-	54"	CHANNEL 30 LO OUT
	(602201-003)	602092-001	WHT	806		
141	J101-77	J202-f	24 AWG	602201-	54"	CHANNEL 31 HI IN
	(602201-003)	602092-001	WHT	806		
142	J101-78	J202-e	24 AWG	602201-	54"	CHANNEL 31 LO IN
	(602201-003)	602092-001	WHT	806		
143	J101-79	J202-d	24 AWG	602201-	54"	CHANNEL 31 HI OUT
	(602201-003)	602092-001	WHT	806		
144	J101-80	J202-c	24 AWG	602201-	54"	CHANNEL 31 LO OUT
	(602201-003)	602092-001	WHT	806		
145	J101-17	J203-EE	24 AWG	602201-	54"	CHANNEL 32 HI IN
	(602201-003)	602092-001	WHT	806		
146	J101-18	J203-DD	24 AWG	602201-	54"	CHANNEL 32 LO IN
	(602201-003)	602092-001	WHT	806		
147	J101-49	J203-CC	24 AWG	602201-	54"	CHANNEL 32 HI OUT
	(602201-003)	602092-001	WHT	806		
148	J101-50	J203-BB	24 AWG	602201-	54"	CHANNEL 32 LO OUT
	(602201-003)	602092-001	WHT	806		
149	J101-19	J203-AA	24 AWG	602201-	54"	CHANNEL 33 HI IN
	(602201-003)	602092-001	WHT	806		
150	J101-20	J203-z	24 AWG	602201-	54"	CHANNEL 33 LO IN
	(602201-003)	602092-001	WHT	806		

EADS North America Defense Test and Services, Inc., 4 Goodyear St., Irvine, CA 92718

DOCUMENT TITLE	SIZE	CODE NO.	DOCUMENT NO.	REV
HARNESS ASSEMBLY, 1260-13, VP-90	A	21793	407270	D
	DRN		SHEET 9 of 11	

ENGINEERING WIRE LIST

WIRE	FROM	TO	TYPE	PART#	WIRE LEN	REFERENCE
151	J101-51 (602201-003)	J203-y 602092-001	24 AWG WHT	602201- 806	54"	CHANNEL 33 HI OUT
152	J101-52 (602201-003)	J203-x 602092-001	24 AWG WHT	602201- 806	54"	CHANNEL 33 LO OUT
153	J101-81 (602201-003)	J203-w 602092-001	24 AWG WHT	602201- 806	54"	CHANNEL 34 HI IN
154	J101-82 (602201-003)	J203-v 602092-001	24 AWG WHT	602201- 806	54"	CHANNEL 34 LO IN
155	J101-83 (602201-003)	J203-u 602092-001	24 AWG WHT	602201- 806	54"	CHANNEL 34 HI OUT
156	J101-84 (602201-003)	J203-l 602092-001	24 AWG WHT	602201- 806	54"	CHANNEL 34 LO OUT
157	J101-21 (602201-003)	J203-s 602092-001	24 AWG WHT	602201- 806	54"	CHANNEL 35 HI IN
158	J101-22 (602201-003)	J203-r 602092-001	24 AWG WHT	602201- 806	54"	CHANNEL 35 LO IN
159	J101-53 (602201-003)	J203-p 602092-001	24 AWG WHT	602201- 806	54"	CHANNEL 35 HI OUT
160	J101-54 (602201-003)	J203-n 602092-001	24 AWG WHT	602201- 806	54"	CHANNEL 35 LO OUT
161	J101-23 (602201-003)	J203-m 602092-001	24 AWG WHT	602201- 806	54"	CHANNEL 36 HI IN
162	J101-24 (602201-003)	J203-k 602092-001	24 AWG WHT	602201- 806	54"	CHANNEL 36 LO IN
163	J101-55 (602201-003)	J203-j 602092-001	24 AWG WHT	602201- 806	54"	CHANNEL 36 HI OUT
164	J101-56 (602201-003)	J203-h 602092-001	24 AWG WHT	602201- 806	54"	CHANNEL 36 LO OUT
165	J101-85 (602201-003)	J203-f 602092-001	24 AWG WHT	602201- 806	54"	CHANNEL 37 HI IN
166	J101-86 (602201-003)	J203-e 602092-001	24 AWG WHT	602201- 806	54"	CHANNEL 37 LO IN
167	J101-87 (602201-003)	J203-d 602092-001	24 AWG WHT	602201- 806	54"	CHANNEL 37 HI OUT
168	J101-88 (602201-003)	J203-c 602092-001	24 AWG WHT	602201- 806	54"	CHANNEL 37 LO OUT
169	J101-25 (602201-003)	J203-b 602092-001	24 AWG WHT	602201- 806	54"	CHANNEL 38 HI IN
170	J101-26 (602201-003)	J203-a 602092-001	24 AWG WHT	602201- 806	54"	CHANNEL 38 LO IN
171	J101-57 (602201-003)	J203-Z 602092-001	24 AWG WHT	602201- 806	54"	CHANNEL 38 HI OUT
172	J101-58 (602201-003)	J203-Y 602092-001	24 AWG WHT	602201- 806	54"	CHANNEL 38 LO OUT
173	J101-27 (602201-003)	J203-X 602092-001	24 AWG WHT	602201- 806	54"	CHANNEL 39 HI IN
174	J101-28 (602201-003)	J203-W 602092-001	24 AWG WHT	602201- 806	54"	CHANNEL 39 LO IN
175	J101-59 (602201-003)	J203-V 602092-001	24 AWG WHT	602201- 806	54"	CHANNEL 39 HI OUT

EADS North America Defense Test and Services, Inc., 4 Goodyear St., Irvine, CA 92718

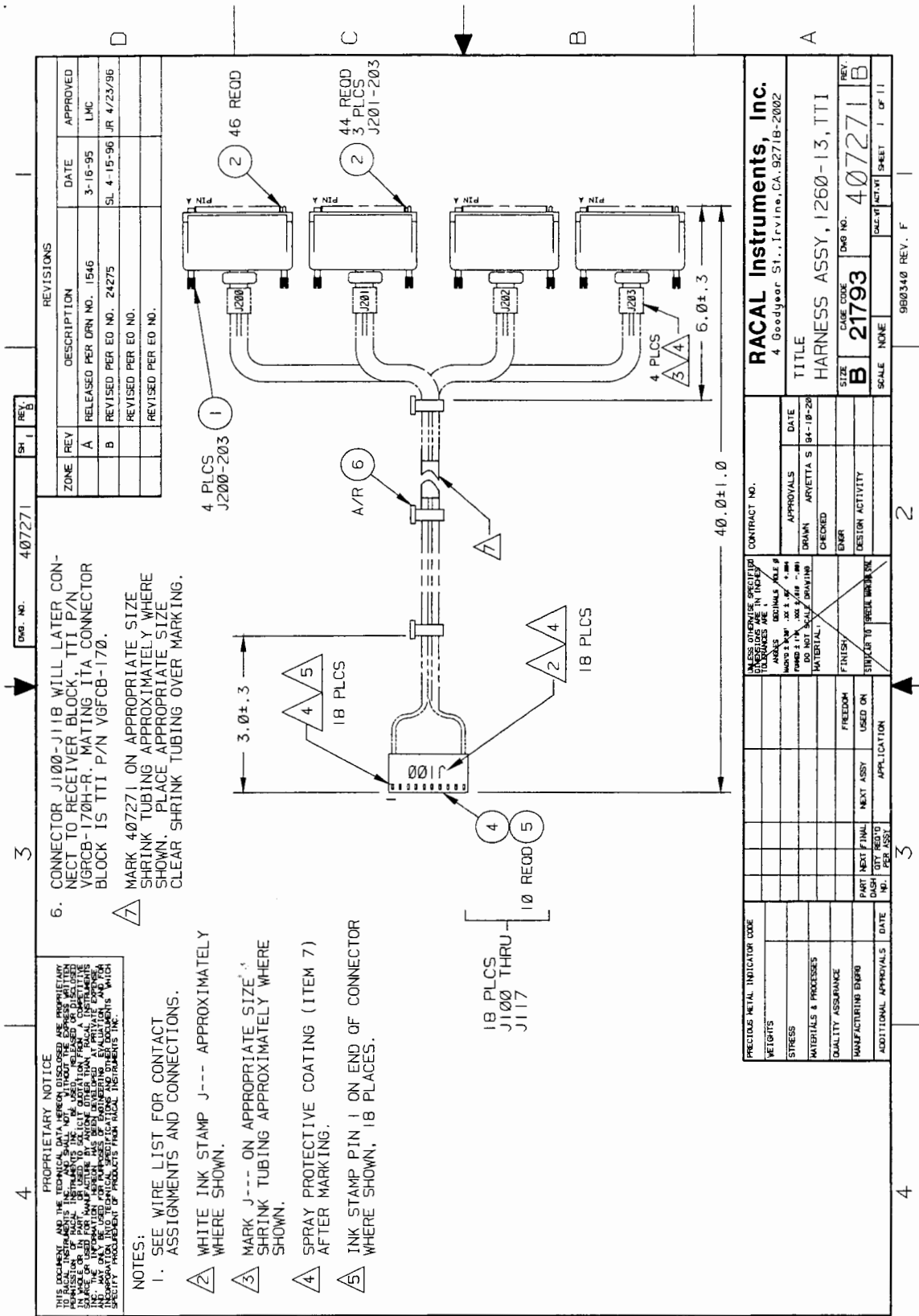
DOCUMENT TITLE	SIZE	CODE NO.	DOCUMENT NO.	REV
HARNESS ASSEMBLY, 1260-13, VP-90	A	21793	407270	D
	DRN		SHEET 10 of 11	

ENGINEERING WIRE LIST

WIRE	FROM	TO	TYPE	PART#	WIRE LEN	REFERENCE
176	J101-60	J203-U	24 AWG	602201-	54"	CHANNEL 39 LO OUT
	(602201-003)	602092-001	WHT	806		
177	J101-89					
	NO CONNECT					
178	J101-90					
	NO CONNECT					
179	J101-91					
	NO CONNECT					
180	J101-92					
	NO CONNECT					
181	J101-29	J202-b	24 AWG	602201-	54"	COMMON 03 HI
	(602201-003)	602092-001	WHT	806		
182	J101-30	J202-a	24 AWG	602201-	54"	COMMON 03 LO
	(602201-003)	602092-001	WHT	806		
183	J101-61	J203-T	24 AWG	602201-	54"	COMMON 04 HI
	(602201-003)	602092-001	WHT	806		
184	J101-62	J203-S	24 AWG	602201-	54"	COMMON 04 LO
	(602201-003)	602092-001	WHT	806		
185	J101-31	J202-A	24 AWG	602201-	54"	GROUND
	(602201-003)	602092-001	WHT	806		
186	J101-32	J202-FF	24 AWG	602201-	54"	GROUND
	(602201-003)	602092-001	WHT	806		
187	J101-63	J203-A	24 AWG	602201-	54"	GROUND
	(602201-003)	602092-001	WHT	806		
188	J101-64	J203-FF	24 AWG	602201-	54"	GROUND
	(602201-003)	602092-001	WHT	806		
189	J101-93					
	NO CONNECT					
190	J101-94					
	NO CONNECT					
191	J101-95					
	NO CONNECT					
192	J101-96					
	NO CONNECT					

EADS North America Defense Test and Services, Inc., 4 Goodyear St., Irvine, CA 92718

DOCUMENT TITLE	SIZE	CODE NO.	DOCUMENT NO.	REV
HARNESS ASSEMBLY, 1260-13, VP-90	A	21793	407270	D
	DRN		SHEET 11 of 11	



6. CONNECTOR J100-J118 WILL LATER CONNECT TO RECEIVER BLOCK, TTI P/N VGR0B-170H-R. MATING ITA CONNECTOR BLOCK IS TTI P/N VGR0B-170.

MARK 407271 ON APPROPRIATE SIZE SHRINK TUBING APPROXIMATELY WHERE SHOWN. PLACE APPROPRIATE SIZE CLEAR SHRINK TUBING OVER MARKING.

PROPRIETARY NOTICE
THIS DOCUMENT AND THE TECHNICAL DATA HEREIN DISCLOSED ARE PROPRIETARY INFORMATION OF RACAL INSTRUMENTS, INC. THE USE, REPRODUCTION, OR DISSEMINATION OF THIS INFORMATION BY ANY OTHER THAN RACAL INSTRUMENTS, INC. IS PROHIBITED. RACAL INSTRUMENTS, INC. IS NOT RESPONSIBLE FOR ANY REPRODUCTION OR DISSEMINATION OF THIS INFORMATION BY ANY OTHER THAN RACAL INSTRUMENTS, INC. THE ONLY AUTHORIZED REPRODUCTION OF THIS DOCUMENT IS BY RACAL INSTRUMENTS, INC. FOR THE PURPOSES OF TECHNICAL ASSISTANCE TO OTHER GOVERNMENTS WHICH SPECIFY PRODUCTS OF PRODUCTS FROM RACAL INSTRUMENTS, INC.

- NOTES:
- SEE WIRE LIST FOR CONTACT ASSIGNMENTS AND CONNECTIONS.
 - WHITE INK STAMP J--- APPROXIMATELY WHERE SHOWN.
 - MARK J--- ON APPROPRIATE SIZE SHRINK TUBING APPROXIMATELY WHERE SHOWN.
 - SPRAY PROTECTIVE COATING (ITEM 7) AFTER MARKING.
 - INK STAMP P IN I ON END OF CONNECTOR WHERE SHOWN, 18 PLACES.

PRECISE METAL INDICATOR CODE		CONTRACT NO.	
WEIGHTS		RACAL Instruments, Inc.	
STRESS		4 Goodyear St., Irvine, CA. 92718-2002	
MATERIALS & PROCESSES		TITLE	
QUALITY ASSURANCE		HARNES ASSY, 1260-13, TTI	
MANUFACTURING ENGR		SIZE	CAGE CODE
DATE		B	21793
ADDITIONAL APPROVALS		SCALE	NONE
		DWG NO.	407271
		REV.	B
		980340 REV. F	

ENGINEERING PARTS LIST

ITEM	BIN	PART NO.	DESCRIPTION	QTY	REFERENCE
1		601855-050	CON-CAB-PLG50CP.	4	J200-J203
2		602092-001	CONT,SGMC,MALE CRIMP	178	W/J200-J203
3		524999	WRTEF-STR24G-9-9-9	A/R	
4		602193-010	CON-CAB-RCP010C.100S	18	J100-J117
5		602199-001	CONTACT,CRIMP,RECPT,28-22GA	180	W/J100-J117
6		610777	TIE-CA-LKG-.062-.075	A/R	
7		910541	POLYURETHANE CONF. COAT	A/R	

EADS North America Defense Test and Services, Inc., 4 Goodyear St., Irvine, CA 92718

DOCUMENT TITLE	SIZE	CODE NO.	DOCUMENT NO.	REV
HARNESS ASSEMBLY, 1260-13, TTI	A	21793	407271	A
	DRN		SHEET 2 of 11	

ENGINEERING WIRE LIST

WIRE	FROM	TO	TYPE	PART#	WIRE LEN	REFERENCE
	BLK AAx RW 01 (J100)	Uxx-SLOT yy (J200)	CABLE	407271		SYSTEM WIRE LIST
	BLK AAx RW 02 (J101)	Uxx-SLOT yy (J200)	CABLE	407271		
	BLK AAx RW 03 (J102)	Uxx-SLOT yy (J200)	CABLE	407271		
	BLK AAx RW 04 (J103)	Uxx-SLOT yy (J200-J201)	CABLE	407271		
	BLK AAx RW 05 (J104)	Uxx-SLOT yy (J201)	CABLE	407271		
	BLK AAx RW 06 (J105)	Uxx-SLOT yy (J200-J201)	CABLE	407271		
	BLK AAx RW 07 (J106)	Uxx-SLOT yy 202	CABLE	407271		
	BLK AAx RW 08 (J107)	Uxx-SLOT yy (J202)	CABLE	407271		
	BLK AAx RW 09 (J108)	Uxx-SLOT yy (J200-J201)	CABLE	407271		
	BLK AAx RW 10 (J109)	Uxx-SLOT yy (J201)	CABLE	407271		
	BLK AAx RW 11 (J110)	Uxx-SLOT yy (J201,J203)	CABLE	407271		
	BLK AAx RW 12 (J111)	Uxx-SLOT yy (J202,J203)	CABLE	407271		
	BLK AAx RW 13 (J112)	Uxx-SLOT yy (J202)	CABLE	407271		
	BLK AAx RW 14 (J113)	Uxx-SLOT yy (J202-J203)	CABLE	407271		
	BLK AAx RW 15 (J114)	Uxx-SLOT yy (J203)	CABLE	407271		
	BLK AAx RW 16 (J115)	Uxx-SLOT yy (J203)	CABLE	407271		
	BLK AAx RW 17 (J116)	Uxx-SLOT yy (J203)	CABLE	407271		
	BLK AAx RW 01 (J117)	Uxx-SLOT yy (J202-J203)	CABLE	407271		

This system wirelist serves as a template for incorporating this harness assembly into the overall system wirelist. It does not in any way affect the fabrication of this harness assembly.

EADS North America Defense Test and Services, Inc., 4 Goodyear St., Irvine, CA 92718				
DOCUMENT TITLE	SIZE	CODE NO.	DOCUMENT NO.	REV
HARNESS ASSEMBLY, 1260-13, TTI	A	21793	407271	A
	DRN		SHEET 3 of 11	

ENGINEERING WIRE LIST

WIRE	FROM	TO	TYPE	PART#	WIRE LEN	REFERENCE
1	J100-1 602199-001	J200-s 602092-001	24 AWG WHT	524999	40"	CHANNEL 00 HI IN
2	J100-2 602199-001	J200-r 602092-001	24 AWG WHT	524999	40"	CHANNEL-00-LO-IN
3	J100-3 602199-001	J200-p 602092-001	24 AWG WHT	524999	40"	CHANNEL-00-HI-OUT
4	J100-4 602199-001	J200-n 602092-001	24 AWG WHT	524999	40"	CHANNEL 00 LO OUT
5	J100-5 602199-001	J200-m 602092-001	24 AWG WHT	524999	40"	CHANNEL 01 HI IN
6	J100-6 602199-001	J200-k 602092-001	24 AWG WHT	524999	40"	CHANNEL 01 LO IN
7	J100-7 602199-001	J200-j 602092-001	24 AWG WHT	524999	40"	CHANNEL 01 HI OUT
8	J100-8 602199-001	J200-h 602092-001	24 AWG WHT	524999	40"	CHANNEL 01 LO OUT
9	J100-9 602199-001	J200-f 602092-001	24 AWG WHT	524999	40"	CHANNEL 02 HI IN
10	J100-10 602199-001	J200-e 602092-001	24 AWG WHT	524999	40"	CHANNEL 02 LO IN
11	J101-10 602199-001	J200-d 602092-001	24 AWG WHT	524999	40"	CHANNEL 02 HI OUT
12	J101-9 602199-001	J200-c 602092-001	24 AWG WHT	524999	40"	CHANNEL 02 LO OUT
13	J101-8 602199-001	J200-b 602092-001	24 AWG WHT	524999	40"	CHANNEL 03 HI IN
14	J101-7 602199-001	J200-a 602092-001	24 AWG WHT	524999	40"	CHANNEL 03 LO IN
15	J101-6 602199-001	J200-Z 602092-001	24 AWG WHT	524999	40"	CHANNEL 03 HI OUT
16	J101-5 602199-001	J200-Y 602092-001	24 AWG WHT	524999	40"	CHANNEL 03 LO OUT
17	J101-4 602199-001	J200-X 602092-001	24 AWG WHT	524999	40"	CHANNEL 04 HI IN
18	J101-3 602199-001	J200-W 602092-001	24 AWG WHT	524999	40"	CHANNEL 04 LO IN
19	J101-2 602199-001	J200-V 602092-001	24 AWG WHT	524999	40"	CHANNEL 04 HI OUT
20	J101-1 602199-001	J200-U 602092-001	24 AWG WHT	524999	40"	CHANNEL 04 LO OUT
21	J102-1 602199-001	J200-T 602092-001	24 AWG WHT	524999	40"	CHANNEL 05 HI IN
22	J102-2 602199-001	J200-S 602092-001	24 AWG WHT	524999	40"	CHANNEL 05 LO IN
23	J102-3 602199-001	J200-R 602092-001	24 AWG WHT	524999	40"	CHANNEL 05 HI OUT
24	J102-4 602199-001	J200-P 602092-001	24 AWG WHT	524999	40"	CHANNEL 05 LO OUT
25	J102-5 602199-001	J200-N 602092-001	24 AWG WHT	524999	40"	CHANNEL 06 HI IN

EADS North America Defense Test and Services, Inc., 4 Goodyear St., Irvine, CA 92718

DOCUMENT TITLE	SIZE	CODE NO.	DOCUMENT NO.	REV
HARNESS ASSEMBLY, 1260-13, TTI	A	21793	407271	A
	DRN		SHEET 4 of 11	

ENGINEERING WIRE LIST

WIRE	FROM	TO	TYPE	PART#	WIRE LEN	REFERENCE
26	J102-6	J200-M	24 AWG	524999	40"	CHANNEL 06 LO IN
	602199-001	602092-001	WHT			
27	J102-7	J200-L	24 AWG	524999	40"	CHANNEL 06 HI OUT
	602199-001	602092-001	WHT			
28	J102-8	J200-K	24 AWG	524999	40"	CHANNEL 06 LO OUT
	602199-001	602092-001	WHT			
29	J102-9	J200-J	24 AWG	524999	40"	CHANNEL 07 HI IN
	602199-001	602092-001	WHT			
30	J102-10	J200-H	24 AWG	524999	40"	CHANNEL 07 LO IN
	602199-001	602092-001	WHT			
31	J103-10	J200-F	24 AWG	524999	40"	CHANNEL 07 HI OUT
	602199-001	602092-001	WHT			
32	J103-9	J200-E	24 AWG	524999	40"	CHANNEL 07 LO OUT
	602199-001	602092-001	WHT			
33	J103-8	J201-f	24 AWG	524999	40"	CHANNEL 08 HI IN
	602199-001	602092-001	VWHT			
34	J103-7	J201-e	24 AWG	524999	40"	CHANNEL 08 LO IN
	602199-001	602092-001	WHT			
35	J103-6	J201-d	24 AWG	524999	40"	CHANNEL 08 HI OUT
	602199-001	602092-001	WHT			
36	J103-5	J201-c	24 AWG	524999	40"	CHANNEL 08 LO OUT
	602199-001	602092-001	WHT			
37	J103-4	J201-b	24 AWG	524999	40"	CHANNEL 09 HI IN
	602199-001	602092-001				
38	J103-3	J201-a	24 AWG	524999	40"	CHANNEL 09 LO IN
	602199-001	602092-001	WHT			
39	J103-2	J201-Z	24 AWG	524999	40"	CHANNEL 09 HI OUT
	602199-001	602092-001	WHT			
40	J103-1	J201-Y	24 AWG	524999	40"	CHANNEL 09 LO OUT
	602199-001	602092-001	WHT			
41	J104-1	J201-X	24 AWG	524999	40"	CHANNEL 10 HI IN
	602199-001	602092-001	WHT			
42	J104-2	J201-W	24 AWG	524999	40"	CHANNEL 10 LO IN
	602199-001	602092-001	WHT			
43	J104-3	J201-V	24 AWG	524999	40"	CHANNEL 10 HI OUT
	602199-001	602092-001	WHT			
44	J104-4	J201-U	24 AWG	524999	40"	CHANNEL 10 LO OUT
	602199-001	602092-001	WHT			
45	J104-5	J201-T	24 AWG	524999	40"	CHANNEL 11 HI IN
	602199-001	602092-001	WHT			
46	J104-6	J201-S	24 AWG	524999	40"	CHANNEL 11 LO IN
	602199-001	602092-001	WHT			
47	J104-7	J201-R	24 AWG	524999	40"	CHANNEL 11 HI OUT
	602199-001	602092-001	WHT			
48	J104-8	J201-P	24 AWG	524999	40"	CHANNEL 11 LO OUT
	602199-001	602092-001	WHT			
49	J104-9	J201-N	24 AWG	524999	40"	CHANNEL 12 HI IN
	602199-001	602092-001	WHT			

EADS North America Defense Test and Services, Inc., 4 Goodyear St., Irvine, CA 92718

DOCUMENT TITLE	SIZE	CODE NO.	DOCUMENT NO.	REV
HARNES ASSEMBLY, 1260-13, TT1	A	21793	407271	A
	DRN		SHEET 5 of 11	

ENGINEERING WIRE LIST

WIRE	FROM	TO	TYPE	PART#	WIRE LEN	REFERENCE
50	J104-10	J201-M	24 AWG	524999	40"	CHANNEL 12 LO IN
	602199-001	602092-001	WHT			
51	J105-10	J201-L	24 AWG	524999	40"	CHANNEL 12 HI OUT
	602199-001	602092-001	WHT			
52	J105-9	J201-K	24 AWG	524999	40"	CHANNEL 12 LO OUT
	602199-001	602092-001	WHT			
53	J105-8	J201-J	24 AWG	524999	40"	CHANNEL 13 HI IN
	602199-001	602092-001	WHT			
54	J105-7	J201-H	24 AWG	524999	40"	CHANNEL 13 LO IN
	602199-001	602092-001	WHT			
55	J105-6	J201-F	24 AWG	524999	40"	CHANNEL 13 HI OUT
	602199-001	602092-001	WHT			
56	J105-5	J201-E	24 AWG	524999	40"	CHANNEL 13 LO OUT
	602199-001	602092-001	WHT			
57	J105-4	J200-EE	24 AWG	524999	40"	CHANNEL 14 HI IN
	602199-001	602092-001	WHT			
58	J105-3	J200-DD	24 AWG	524999	40"	CHANNEL 14 LO IN
	602199-001	602092-001	WHT			
59	J105-2	J200-CC	24 AWG	524999	40"	CHANNEL 14 HI OUT
	602199-001	602092-001	WHT			
60	J105-1	J200-BB	24 AWG	524999	40"	CHANNEL 14 LO OUT
	602199-001	602092-001	WHT			
61	J106-1	J200-AA	24 AWG	524999	40"	CHANNEL 15 HI IN
	602199-001	602092-001	WHT			
62	J106-2	J200-z	24 AWG	524999	40"	CHANNEL 15 LO IN
	602199-001	602092-001	WHT			
63	J106-3	J200-y	24 AWG	524999	40"	CHANNEL 15 HI OUT
	602199-001	602092-001	WHT			
64	J106-4	J200-x	24 AWG	524999	40"	CHANNEL 15 LO OUT
	602199-001	602092-001	WHT			
65	J106-5	J202-X	24 AWG	524999	40"	CHANNEL 16 HI IN
	602199-001	602092-001	WHT			
66	J106-6	J202-W	24 AWG	524999	40"	CHANNEL 16 LO IN
	602199-001	602092-001	WHT			
67	J106-7	J202-V	24 AWG	524999	40"	CHANNEL 16 HI OUT
	602199-001	602092-001	WHT			
68	J106-8	J202-U	24 AWG	524999	40"	CHANNEL 16 LO OUT
	602199-001	602092-001	WHT			
69	J106-9	J202-T	24 AWG	524999	40"	CHANNEL 17 HI IN
	602199-001	602092-001	WHT			
70	J106-10	J202-S	24 AWG	524999	40"	CHANNEL 17 LO IN
	602199-001	602092-001	WHT			
71	J107-10	J202-R	24 AWG	524999	40"	CHANNEL 17 HI OUT
	602199-001	602092-001	WHT			
72	J107-9	J202-P	24 AWG	524999	40"	CHANNEL 17 LO OUT
	602199-001	602092-001	WHT			

EADS North America Defense Test and Services, Inc., 4 Goodyear St., Irvine, CA 92718

DOCUMENT TITLE	SIZE	CODE NO.	DOCUMENT NO.	REV
HARNES ASSEMBLY, 1260-13, TTI	A	21793	407271	A
	DRN		SHEET 6 of 11	

ENGINEERING WIRE LIST

WIRE	FROM	TO	TYPE	PART#	WIRE LEN	REFERENCE
73	J107-8	J202-N	24 AWG	524999	40"	CHANNEL 18 HI IN
	602199-001	602092-001	WHT			
74	J107-7	J202-M	24 AWG	524999	40"	CHANNEL 18 LO IN
	602199-001	602092-001	WHT			
75	J107-6	J202-L	24 AWG	524999	40"	CHANNEL 18 HI OUT
	602199-001	602092-001	WHT			
76	J107-5	J202-K	24 AWG	524999	40"	CHANNEL 18 LO OUT
	602199-001	602092-001	WHT			
77	J107-4	J202-J	24 AWG	524999	40"	CHANNEL 19 HI IN
	602199-001	602092-001	WHT			
78	J107-3	J202-H	24 AWG	524999	40"	CHANNEL 19 LO IN
	602199-001	602092-001	WHT			
79	J107-2	J202-F	24 AWG	524999	40"	CHANNEL 19 HI OUT
	602199-001	602092-001	WHT			
80	J107-1	J202-E	24 AWG	524999	40"	CHANNEL 19 LO OUT
	602199-001	602092-001	WHT			
81	J108-1	J200-D	24 AWG	524999	40"	COMMON 00 HI
	602199-001	602092-001	WHT			
82	J108-2	J200-C	24 AWG	524999	40"	COMMON 00 LO
	602199-001	602092-001	WHT			
83	J108-3	J200-w	24 AWG	524999	40"	COMMON 01 HI
	602199-001	602092-001	WHT			
84	J108-4	J200-v	24 AWG	524999	40"	COMMON 01 LO
	602199-001	602092-001	WHT			
85	J109-5	J200-A	24 AWG	524999	40"	GROUND
	602199-001	602092-001	WHT			
86	J108-6	J200-FF	24 AWG	524999	40"	GROUND
	602199-001	602092-001	WHT			
87	J109-7	J201-A	24 AWG	524999	40"	GROUND
	602199-001	602092-001	WHT			
88	J108-8	J201-FF	24 AWG	524999	40"	GROUND
	602199-001	602092-001	WHT			
89	J108-9	J201-m	24 AWG	524999	40"	COMMON 02 HI
	602199-001	602092-001	WHT			
90	J108-10	J201-k	24 AWG	524999	40"	COMMON 02 LO
	602199-001	602092-001	WHT			
91	J109-10	J201-EE	24 AWG	524999	40"	CHANNEL 20 HI IN
	602199-001	602092-001	WHT			
92	J109-9	J201-DD	24 AWG	524999	40"	CHANNEL 20 LO IN
	602199-001	602092-001	WHT			
93	J109-8	J201-CC	24 AWG	524999	40"	CHANNEL 20 HI OUT
	602199-001	602092-001	WHT			
94	J109-7	J201-BB	24 AWG	524999	40"	CHANNEL 20 LO OUT
	602199-001	602092-001	WHT			
95	J109-6	J201-AA	24 AWG	524999	40"	CHANNEL 21 HI IN
	602199-001	602092-001	WHT			

EADS North America Defense Test and Services, Inc., 4 Goodyear St., Irvine, CA 92718

DOCUMENT TITLE	SIZE	CODE NO.	DOCUMENT NO.	REV
HARNESS ASSEMBLY, 1260-13, TT1	A	21793	407271	A
	DRN		SHEET 7 of 11	

ENGINEERING WIRE LIST

WIRE	FROM	TO	TYPE	PART#	WIRE LEN	REFERENCE
96	J109-5	J201-z	24 AWG	524999	40"	CHANNEL 21 LO IN
	602199-001	602092-001	WHT			
97	J109-4	J201-y	24 AWG	524999	40"	CHANNEL 21 HI OUT
	602199-001	602092-001	WHT			
98	J109-3	J201-x	24 AWG	524999	40"	CHANNEL 21 LO OUT
	602199-001	602092-001	WHT			
99	J109-2	J201-w	24 AWG	524999	40"	CHANNEL 22 HI IN
	602199-001	602092-001	WHT			
100	J109-1	J201-v	24 AWG	524999	40"	CHANNEL 22 LO IN
	602199-001	602092-001	WHT			
101	J110-1	J201-u	24 AWG	524999	40"	CHANNEL 22 HI OUT
	602199-001	602092-001	WHT			
102	J110-2	J201-t	24 AWG	524999	40"	CHANNEL 22 LO OUT
	602199-001	602092-001	WHT			
103	J110-3	J201-s	24 AWG	524999	40"	CHANNEL 23 HI IN
	602199-001	602092-001	WHT			
104	J110-4	J201-r	24 AWG	524999	40"	CHANNEL 23 LO IN
	602199-001	602092-001	WHT			
105	J110-5	J201-p	24 AWG	524999	40"	CHANNEL 23 HI OUT
	602199-001	602092-001	WHT			
106	J110-6	J201-n	24 AWG	524999	40"	CHANNEL 23 LO OUT
	602199-001	602092-001	WHT			
107	J110-7	J203-N	24 AWG	524999	40"	CHANNEL 24 HI IN
	602199-001	602092-001	WHT			
108	J110-8	J203-M	24 AWG	524999	40"	CHANNEL 24 LO IN
	602199-001	602092-001	WHT			
109	J110-9	J203-L	24 AWG	524999	40"	CHANNEL 24 HI OUT
	602199-001	602092-001	WHT			
110	J110-10	J203-K	24 AWG	524999	40"	CHANNEL 24 LO OUT
	602199-001	602092-001	WHT			
111	J111-10	J203-J	24 AWG	524999	40"	CHANNEL 25 HI IN
	602199-001	602092-001	WHT			
112	J111-9	J203-H	24 AWG	524999	40"	CHANNEL 25 LO IN
	602199-001	602092-001	WHT			
113	J111-8	J203-F	24 AWG	524999	40"	CHANNEL 25 HI OUT
	602199-001	602092-001	WHT			
114	J111-7	J203-E	24 AWG	524999	40"	CHANNEL 25 LO OUT
	602199-001	602092-001	WHT			
115	J111-6	J202-EE	24 AWG	524999	40"	CHANNEL 26 HI IN
	602199-001	602092-001	WHT			
116	J111-5	J202-DD	24 AWG	524999	40"	CHANNEL 26 LO IN
	602199-001	602092-001	WHT			
117	J111-4	J202-CC	24 AWG	524999	40"	CHANNEL 26 HI OUT
	602199-001	602092-001	WHT			
118	J111-3	J202-BB	24 AWG	524999	40"	CHANNEL 26 LO OUT
	602199-001	602092-001	WHT			

EADS North America Defense Test and Services, Inc., 4 Goodyear St., Irvine, CA 92718

DOCUMENT TITLE	SIZE	CODE NO.	DOCUMENT NO.	REV
HARNESS ASSEMBLY, 1260-13, TT1	A	21793	407271	A
	DRN		SHEET 8 of 11	

ENGINEERING WIRE LIST

WIRE	FROM	TO	TYPE	PART#	WIRE LEN	REFERENCE
119	J111-2 602199-001	J202-AA 602092-001	24 AWG WHT	524999	40"	CHANNEL 27 HI IN
120	J111-1 602199-001	J202-z 602092-001	24 AWG WHT	524999	40"	CHANNEL 27 LO IN
121	J112-1 602199-001	J202-y 602092-001	24 AWG WHT	524999	40"	CHANNEL 27 HI OUT
122	J112-2 602199-001	J202-x 602092-001	24 AWG WHT	524999	40"	CHANNEL 27 LO OUT
123	J112-3 602199-001	J202-w 602092-001	24 AWG WHT	524999	40"	CHANNEL 28 HI IN
124	J112-4 602199-001	J202-v 602092-001	24 AWG WHT	524999	40"	CHANNEL 28 LO IN
125	J112-5 602199-001	J202-u 602092-001	24 AWG WHT	524999	40"	CHANNEL 28 HI OUT
126	J112-6 602199-001	J202-t 602092-001	24 AWG WHT	524999	40"	CHANNEL 28 LO OUT
127	J112-7 602199-001	J202-s 602092-001	24 AWG WHT	524999	40"	CHANNEL 29 HI IN
128	J112-8 602199-001	J202-r 602092-001	24 AWG WHT	524999	40"	CHANNEL 29 LO IN
129	J112-9 602199-001	J202-p 602092-001	24 AWG WHT	524999	40"	CHANNEL 29 HI OUT
130	J112-10 602199-001	J202-n 602092-001	24 AWG WHT	524999	40"	CHANNEL 29 LO OUT
131	J113-10 602199-001	J202-m 602092-001	24 AWG WHT	524999	40"	CHANNEL 30 HI IN
132	J113-9 602199-001	J202-k 602092-001	24 AWG WHT	524999	40"	CHANNEL 30 LO IN
133	J113-8 602199-001	J202-j 602092-001	24 AWG WHT	524999	40"	CHANNEL 30 HI OUT
134	J113-7 602199-001	J202-h 602092-001	24 AWG WHT	524999	40"	CHANNEL 30 LO OUT
135	J113-6 602199-001	J202-f 602092-001	24 AWG WHT	524999	40"	CHANNEL 31 HI IN
136	J113-5 602199-001	J202-e 602092-001	24 AWG WHT	524999	40"	CHANNEL 31 LO IN
137	J113-4 602199-001	J202-d 602092-001	24 AWG WHT	524999	40"	CHANNEL 31 HI OUT
138	J113-3 602199-001	J202-c 602092-001	24 AWG WHT	524999	40"	CHANNEL 31 LO OUT
139	J113-2 602199-001	J203-EE 602092-001	24 AWG WHT	524999	40"	CHANNEL 32 HI IN
140	J113-1 602199-001	J203-DD 602092-001	24 AWG WHT	524999	40"	CHANNEL 32 LO IN
141	J114-1 602199-001	J203-CC 602092-001	24 AWG WHT	524999	40"	CHANNEL 32 HI OUT
142	J114-2 602199-001	J203-BB 602092-001	24 AWG WHT	524999	40"	CHANNEL 32 LO OUT

EADS North America Defense Test and Services, Inc., 4 Goodyear St., Irvine, CA 92718

DOCUMENT TITLE	SIZE	CODE NO.	DOCUMENT NO.	REV
HARNESS ASSEMBLY, 1260-13, TTI	A	21793	407271	A
	DRN		SHEET 9 of 11	

ENGINEERING WIRE LIST

WIRE	FROM	TO	TYPE	PART#	WIRE LEN	REFERENCE
143	J114-3	J203-AA	24 AWG	524999	40"	CHANNEL 33 HI IN
	602199-001	602092-001	WHT			
144	J114-4	J203-z	24 AWG	524999	40"	CHANNEL 33 LO IN
	602199-001	602092-001	WHT			
145	J114-5	J203-y	24 AWG	524999	40"	CHANNEL 33 HI OUT
	602199-001	602092-001	WHT			
146	J114-6	J203-x	24 AWG	524999	40"	CHANNEL 33 LO OUT
	602199-001	602092-001	WHT			
147	J114-7	J203-w	24 AWG	524999	40"	CHANNEL 34 HI IN
	602199-001	602092-001	WHT			
148	J114-8	J203-v	24 AWG	524999	40"	CHANNEL 34 LO IN
	602199-001	602092-001	WHT			
149	J114-9	J203-u	24 AWG	524999	40"	CHANNEL 34 HI OUT
	602199-001	602092-001	WHT			
150	J114-10	J203-t	24 AWG	524999	40"	CHANNEL 34 LO OUT
	602199-001	602092-001	WHT			
151	J115-10	J203-s	24 AWG	524999	40"	CHANNEL 35 HI IN
	602199-001	602092-001	WHT			
152	J115-9	J203-r	24 AWG	524999	40"	CHANNEL 35 LO IN
	602199-001	602092-001	WHT			
153	J115-8	J203-p	24 AWG	524999	40"	CHANNEL 35 HI OUT
	602199-001	602092-001	WHT			
154	J115-7	J203-n	24 AWG	524999	40"	CHANNEL 35 LO OUT
	602199-001	602092-001	WHT			
155	J115-6	J203-m	24 AWG	524999	40"	CHANNEL 36 HI IN
	602199-001	602092-001	WHT			
156	J115-5	J203-k	24 AWG	524999	40"	CHANNEL 36 LO IN
	602199-001	602092-001	WHT			
157	J115-4	J203-j	24 AWG	524999	40"	CHANNEL 36 HI OUT
	602199-001	602092-001	WHT			
158	J115-3	J203-h	24 AWG	524999	40"	CHANNEL 36 LO OUT
	602199-001	602092-001	WHT			
159	J115-2	J203-f	24 AWG	524999	40"	CHANNEL 37 HI IN
	602199-001	602092-001	WHT			
160	J115-1	J203-e	24 AWG	524999	40"	CHANNEL 37 LO IN
	602199-001	602092-001	WHT			
161	J116-1	J203-d	24 AWG	524999	40"	CHANNEL 37 HI OUT
	602199-001	602092-001	WHT			
162	J116-2	J203-c	24 AWG	524999	40"	CHANNEL 37 LO OUT
	602199-001	602092-001	WHT			
163	J116-3	J203-b	24 AWG	524999	40"	CHANNEL 38 HI IN
	602199-001	602092-001	WHT			
164	J116-4	J203-a	24 AWG	524999	40"	CHANNEL 38 LO IN
	602199-001	602092-001	WHT			
165	J116-5	J203-Z	24 AWG	524999	40"	CHANNEL 38 HI OUT
	602199-001	602092-001	WHT			
166	J116-6	J203-Y	24 AWG	524999	40"	CHANNEL 38 LO OUT
	602199-001	602092-001	WHT			
167	J116-7	J203-X	24 AWG	524999	40"	CHANNEL 39 HI IN
	602199-001	602092-001	WHT			

EADS North America Defense Test and Services, Inc., 4 Goodyear St., Irvine, CA 92718

DOCUMENT TITLE	SIZE	CODE NO.	DOCUMENT NO.	REV
HARNESS ASSEMBLY, 1260-13, TTI	A	21793	407271	A
	DRN		SHEET 10 of 11	

ENGINEERING WIRE LIST

WIRE	FROM	TO	TYPE	PART#	WIRE LEN	REFERENCE
168	J116-8	J203-W	24 AWG	524999	40"	CHANNEL 39 LO IN
	602199-001	602092-001	WHT			
169	J116-9	J203-V	24 AWG	524999	40"	CHANNEL 39 HI OUT
	602199-001	602092-001	WHT			
170	J116-10	J203-U	24 AWG	524999	40"	CHANNEL 39 LO OUT
	602199-001	602092-001	WHT			
171	J117-10	J202-b	24 AWG	524999	40"	COMMON 03 HI
	602199-001	602092-001	WHT			
172	J117-9	J202-a	24 AWG	524999	40"	COMMON 03 LO
	602199-001	602092-001	WHT			
173	J117-8	J203-T	24 AWG	524999	40"	COMMON 04 HI
	602199-001	602092-001	WHT			
174	J117-7	J203-S	24 AWG	524999	40"	COMMON 04 LO
	602199-001	602092-001	WHT			
175	J117-6	J202-A	24 AWG	524999	40"	GROUND
	602199-001	602092-001	WHT			
176	J117-5	J202-FF	24 AWG	524999	40"	GROUND
	602199-001	602092-001	WHT			
177	J117-4	J203-A	24 AWG	524999	40"	GROUND
	602199-001	602092-001	WHT			
178	J117-3	J203-FF	24 AWG	524999	40"	GROUND
	602199-001	602092-001	WHT			
179	J117-2	NO CONNECT				
	602199-001					
180	J117-1	NO CONNECT				
	602199-001					

EADS North America Defense Test and Services, Inc., 4 Goodyear St., Irvine, CA 92718

DOCUMENT TITLE	SIZE	CODE NO.	DOCUMENT NO.	REV
HARNESS ASSEMBLY, 1260-13, TT1	A	21793	407271	A
	DRN		SHEET 11 of 11	

This page was left intentionally blank.

Chapter 5

PRODUCT SUPPORT

Product Support

EADS North America Defense Test and Services, Inc. has a complete Service and Parts Department. If you need technical assistance or should it be necessary to return your product for repair or calibration, call 1-800-722-3262. If parts are required to repair the product at your facility, call 1-949-859-8999 and ask for the Parts Department.

When sending your instrument in for repair, complete the form in the back of this manual.

For worldwide support and the office closest to your facility, refer to the website for the most complete information <http://www.eads-nadefense.com>.

Warranty

Use the original packing material when returning the 1260-13 to EADS North America Defense Test and Services, Inc. for calibration or servicing. The original shipping container and associated packaging material will provide the necessary protection for safe reshipment.

If the original packing material is unavailable, contact EADS North America Defense Test and Services, Inc. Customer Service at 1-800-722-3262 for information.

REPAIR AND CALIBRATION REQUEST FORM

To allow us to better understand your repair requests, we suggest you use the following outline when calling and include a copy with your instrument to be sent to the EADS North America Defense Test and Service, Inc. Repair Facility.

Model _____ Serial No. _____ Date _____

Company Name _____ Purchase Order # _____

Billing Address _____

City

State/Province

Zip/Postal Code

Country

Shipping Address _____

City

State/Province

Zip/Postal Code

Country

Technical Contact _____ Phone Number () _____

Purchasing Contact _____ Phone Number () _____

1. Describe, in detail, the problem and symptoms you are having. Please include all set up details, such as input/output levels, frequencies, waveform details, etc.

2. If problem is occurring when unit is in remote, please list the program strings used and the controller type.

3. Please give any additional information you feel would be beneficial in facilitating a faster repair time (i.e., modifications, etc.)

4. Is calibration data required? Yes No (please circle one)

Call before shipping
Note: We do not accept
"collect" shipments.

Ship instruments to nearest support office.